



# A-Shape LED

## 8A19/LED/850/ND 120V 2PK/4

Philips A-shape LED lamps are the LED alternative to standard incandescents. It provides beautiful light and dependable performance you expect from LED at an affordable price.

### Product data

General Information	
Cap-Base	E26 [Single Contact Medium Screw]
Nominal lifetime	10,950 hour(s)
Switching Cycle	50,000
Lighting Technology	LED
EU RoHS compliant	Yes

Light Technical	
Color Code	850 [CCT of 5000K]
Luminous Flux	800 lm
Color Designation	Daylight
Correlated Color Temperature (Nom)	5000 K
Luminous Efficacy (rated) (Nom)	100 lm/W
Color Consistency	ANSI
Color rendering index (CRI)	80
LLMF At End Of Nominal Lifetime (Nom)	70 %

Operating and Electrical	
Line Frequency	60 Hz
Input Frequency	60 Hz
Power Consumption	8 W
Lamp Current (Nom)	115 mA
Starting Time (Nom)	0.5 s
Warm-up time to 60% light	0.5 s

Power Factor (Fraction)	0.5
Voltage (Nom)	120 V

Temperature	
T-Case Maximum (Nom)	100 °C

Controls and Dimming	
Dimmable	No

Mechanical and Housing	
Bulb Finish	Frosted
Bulb Shape	A19 [A 19mm]

Approval and Application	
Suitable For Accent Lighting	No
Energy Consumption kWh/1000 h	8 kWh

Product Data	
Order product name	8A19/LED/850/ND 120V 2PK/4
Full product name	8A19/LED/850/ND 120V 2PK/4
Order code	929001135234
Material Nr. (12NC)	929001135234
Numerator - Quantity Per Pack	1
EAN/UPC - Product/Case	046677462161

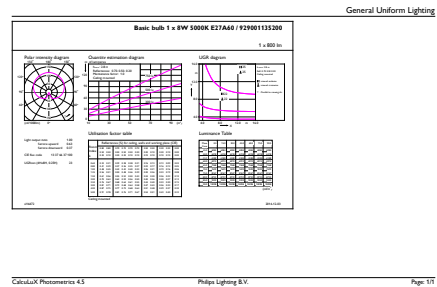
# A-Shape LED

Numerator - Packs per outer box	4
EAN/UPC - Case	50046677462166

## Dimensional drawing

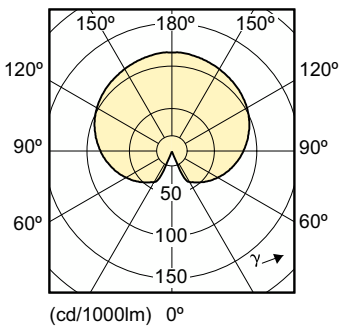
Product	D	C
8A19/LED/850/ND 120V 2PK/4	61.0 mm	107.4 mm

## Photometric data



### Spectral Power Distribution Colour - 8A19/LED/850/ND 120V 2PK/4

### General uniform lighting - 8A19/LED/850/ND 120V 2PK/4



### Light Distribution Diagram - 8A19/LED/850/ND 120V 2PK/4

## A-Shape LED

