



MR16/GU10/PAR16

7MR16/LED/S15/827/DIM AF2 10/1

Philips MR16 Dimmable LED Lamps provide ambient level light to illuminate hard to maintain applications. Increased transformer compatibility allows for operation on a wider range of transformers. Available in dimmable and non-dimmable versions, these lamps are ideal for track and open recessed fixtures in retail, hospitality and residential spaces.

Product data

General Information		Lamp Current (Nom)	
Cap-Base	GU5.3 [GU5.3]	Lamp Current (Nom)	720 mA
Nominal lifetime	40,000 hour(s)	Wattage Equivalent	35 W
Switching Cycle	50,000	Starting Time (Nom)	0.5 s
Lighting Technology	LED	Warm-up time to 60% light	1 s
EU RoHS compliant	Yes	Power Factor (Fraction)	0.7
		Voltage (Nom)	12 V
Light Technical		Temperature	
Color Code	827 [CCT of 2700K]	T-Case Maximum (Nom)	92 °C
Beam Angle (Nom)	15 degree(s)		
Luminous Flux	500 lm	Controls and Dimming	
Luminous Intensity (Nom)	2,800 cd	Dimmable	Yes
Color Designation	Warm White (WW)		
Correlated Color Temperature (Nom)	2700 K	Mechanical and Housing	
Luminous Efficacy (rated) (Nom)	57.14 lm/W	Bulb Shape	MR16 [2inch/50mm]
Color Consistency	<6		
Color rendering index (CRI)	80	Approval and Application	
LLMF At End Of Nominal Lifetime (Nom)	70 %	Energy Saving Product	Yes
Luminous Flux in 90° Cone (Rated)	400 lm	Suitable For Accent Lighting	Yes
		Energy Consumption kWh/1000 h	8 kWh
Operating and Electrical		Energy Certifications	Energy Star
Power Consumption	7 W		

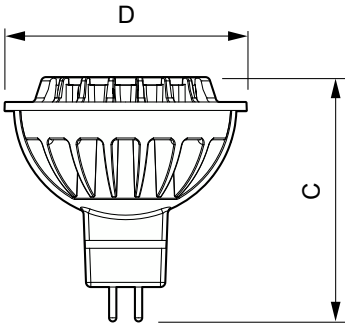
MR16/GU10/PAR16

Product Data

Order product name	7MR16/LED/S15/827/DIM AF2 10/1
Full product name	7MR16/LED/S15/827/DIM AF2 10/1
Order code	461525
Material Nr. (12NC)	929001152534
Numerator - Quantity Per Pack	1

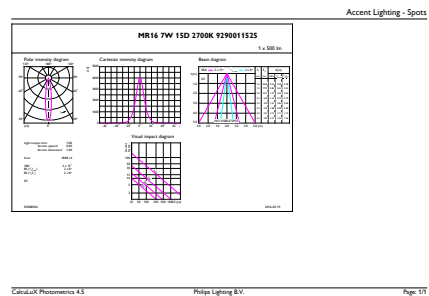
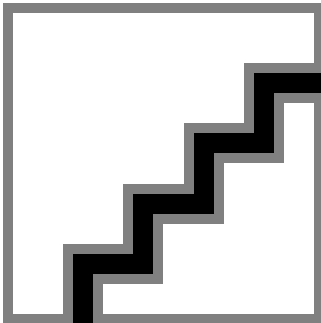
EAN/UPC - Product/Case	046677461522
Numerator - Packs per outer box	10
EAN/UPC - Case	50046677461527

Dimensional drawing



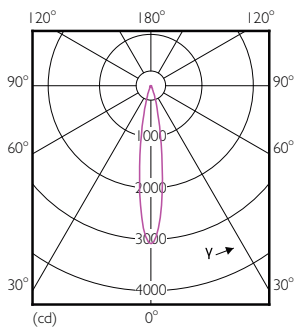
Product	D	C
7MR16/LED/S15/827/DIM AF2 10/1	51 mm	51 mm

Photometric data



Spectral Power Distribution Colour - 7MR16/LED/S15/827/DIM AF2 10/1

General uniform lighting - 7MR16/LED/S15/827/DIM AF2 10/1



Light Distribution Diagram - 7MR16/LED/S15/827/DIM AF2 10/1

