



MR16/GU10/PAR16

7MR16/LED/S15/827/DIM AF2 10/1

Philips MR16 Dimmable LED Lamps provide ambient level light to illuminate hard to maintain applications. Increased transformer compatibility allows for operation on a wider range of transformers. Available in dimmable and non-dimmable versions, these lamps are ideal for track and open recessed fixtures in retail, hospitality and residential spaces.

Product data

| General Information | | Lamp Current (Nom) | |
|---------------------------------------|--------------------|-------------------------------|-------------------|
| Cap-Base | GU5.3 [GU5.3] | Lamp Current (Nom) | 720 mA |
| Nominal lifetime | 40,000 hour(s) | Wattage Equivalent | 35 W |
| Switching Cycle | 50,000 | Starting Time (Nom) | 0.5 s |
| Lighting Technology | LED | Warm-up time to 60% light | 1 s |
| EU RoHS compliant | Yes | Power Factor (Fraction) | 0.7 |
| | | Voltage (Nom) | 12 V |
| Light Technical | | Temperature | |
| Color Code | 827 [CCT of 2700K] | T-Case Maximum (Nom) | 92 °C |
| Beam Angle (Nom) | 15 degree(s) | | |
| Luminous Flux | 500 lm | Controls and Dimming | |
| Luminous Intensity (Nom) | 2,800 cd | Dimmable | Yes |
| Color Designation | Warm White (WW) | | |
| Correlated Color Temperature (Nom) | 2700 K | Mechanical and Housing | |
| Luminous Efficacy (rated) (Nom) | 57.14 lm/W | Bulb Shape | MR16 [2inch/50mm] |
| Color Consistency | <6 | | |
| Color rendering index (CRI) | 80 | Approval and Application | |
| LLMF At End Of Nominal Lifetime (Nom) | 70 % | Energy Saving Product | Yes |
| Luminous Flux in 90° Cone (Rated) | 400 lm | Suitable For Accent Lighting | Yes |
| | | Energy Consumption kWh/1000 h | 8 kWh |
| Operating and Electrical | | Energy Certifications | Energy Star |
| Power Consumption | 7 W | | |

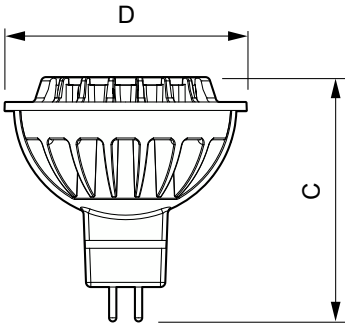
MR16/GU10/PAR16

Product Data

| | |
|-------------------------------|--------------------------------|
| Order product name | 7MR16/LED/S15/827/DIM AF2 10/1 |
| Full product name | 7MR16/LED/S15/827/DIM AF2 10/1 |
| Order code | 929001152534 |
| Material Nr. (12NC) | 929001152534 |
| Numerator - Quantity Per Pack | 1 |

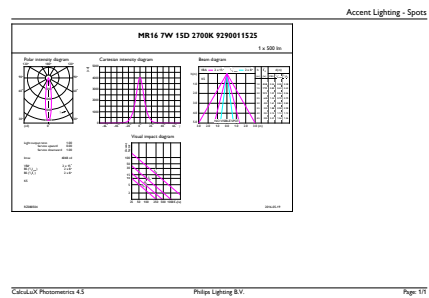
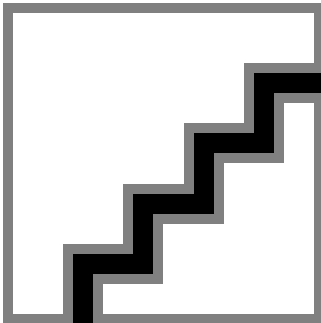
| | |
|---------------------------------|----------------|
| EAN/UPC - Product/Case | 046677461522 |
| Numerator - Packs per outer box | 10 |
| EAN/UPC - Case | 50046677461527 |

Dimensional drawing



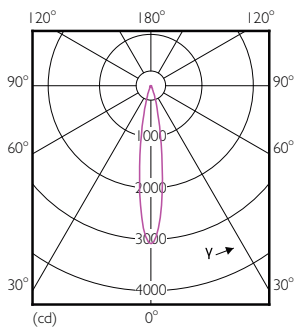
| Product | D | C |
|--------------------------------|-------|-------|
| 7MR16/LED/S15/827/DIM AF2 10/1 | 51 mm | 51 mm |

Photometric data



Spectral Power Distribution Colour - 7MR16/LED/S15/827/DIM AF2 10/1

General uniform lighting - 7MR16/LED/S15/827/DIM AF2 10/1



Light Distribution Diagram - 7MR16/LED/S15/827/DIM AF2 10/1

