



MASTER VALUE LEDs pot LV

MASTER LEDspotLV D 7-35W 827 MR16 36D

Philips MASTER VALUE MR16 is the series of Low Voltage (12 VAC) Halogen MR16 replacements. Not only does it employ Philips' patented solution to guarantee the broadest possible compatibility with standard 12 V Halogen electronic transformers, it also delivers beam intensity which is equivalent to the 50 W Philips Halogen MR16 lamps. The form-factor of Philips MASTER Value LED MR16 guarantees a 100% form on the back-side of the lamp (exact fit with Halogen lamps.)

Warnings and Safety

- Operating temperature range is between -20° C and 45° C ambient
- Only to apply in dry or damp locations and most of open fixtures with lamp-holders that offer sufficient space (10 mm free air space)
- Not intended for use with emergency light fixtures or exit lights

Product data

General Information	
Cap base	GU5.3 [GU5.3]
Nominal lifetime	40,000 h
Switching Cycle	50,000
Lighting Technology	LED
EU RoHS compliant	Yes

Light Technical	
Colour Code	827 [CCT of 2700K]
Beam angle (nom.)	36 degree(s)
Luminous Flux	420 lm
Luminous intensity (nom.)	1,150 cd
Colour designation	Warm White (WW)

Correlated Colour Temperature	2700 K
Luminous efficacy (rated) (nom.)	57.14 lm/W
Colour consistency	<6
Colour rendering index (CRI)	80
LLMF at end of nominal lifetime (nom.)	70 %
Luminous flux in 90° cone (rated)	400 lm

Operating and Electrical	
Power Consumption	7 W
Lamp current (nom.)	720 mA
Wattage equivalent	35 W
Starting time (nom.)	0.5 s
Warm-up time to 60% light	1 s

MASTER VALUE LEDspot LV

Power Factor (Fraction)	0.7
Voltage (nom.)	12 V

Temperature

T-Case maximum (nom.)	92 °C
-----------------------	-------

Controls and Dimming

Dimmable	Yes
----------	-----

Mechanical and Housing

Bulb shape	MR16 [2 inch/50 mm]
------------	---------------------

Approval and Application

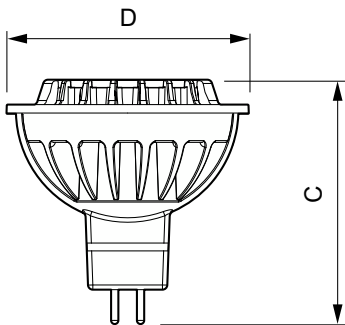
Energy-saving product	Yes
Suitable for accent lighting	Yes

Energy consumption kWh/1,000 hours	8 kWh
------------------------------------	-------

Product Data

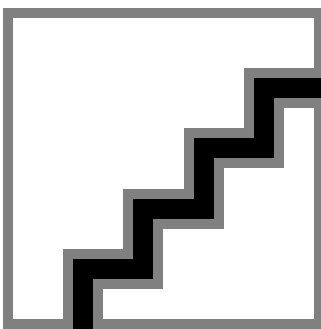
Order product name	MAS LEDspotLV D 7-35W 827 MR16 36D
Full product name	MASTER LEDspotLV D 7-35W 827 MR16 36D
Full EOC	871869648939000
Order code	48939000
Material no. (12 NC)	929001153102
Local order code	MLED7WG532736N
SAP numerator – quantity per pack	1
EAN/UPC – Product/Case	8718696489390
Numerator – packs per outer box	10
EAN/UPC - Case	8718696489406

Dimensional drawing

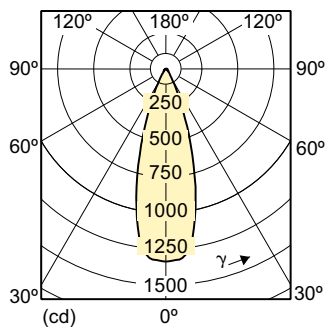


Product	D	C
MAS LEDspotLV D 7-35W 827 MR16 36D	51 mm	51 mm

Photometric data



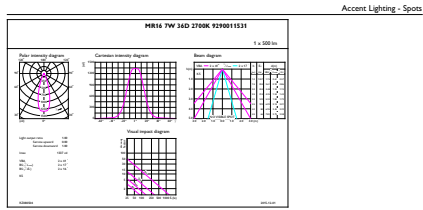
Spectral Power Distribution Colour - MAS LEDspotLV D 7-35W 827 MR16 36D



Light Distribution Diagram - MAS LEDspotLV D 7-35W 827 MR16 36D

MASTER VALUE LEDspot LV

Photometric data



General uniform lighting - MAS LEDspotLV D 7-35W 827 MR16 36D

