



# MASTER LEDspot LV

## MASTER LED 7-50W 940 MR16 36D Dim CN

Delivering intense accent beam, MASTER LEDspot LV is an ideal retrofit solution for spot lighting. MASTER LEDspot LV is designed to replace halogen or incandescent spots. It realizes natural colors, enables cozy and comfortable ambience for residential, hospitality and emphasizes the beauty of merchandise in retail. New smaller housing provides perfect fitting with majority of luminaires in a market with a MR16 GU 5.3 holder. It not only employs Philips' patented solution to guarantee the broadest possible compatibility with standard 12V halogen electronic transformers, it also delivers high beam intensity which is equivalent to halogen MR16 spots. The dimming function enables to create the desired atmosphere and it works with broad selection of dimmers. Its high SDCM ensure stricter color consistency, that is maintained over product life. MASTER LEDspot LV delivers huge energy savings and minimizes maintenance cost without any compromise on light quality and lifetime, enabling residential and business owners to achieve a return on their investment within short period time.

### Product data

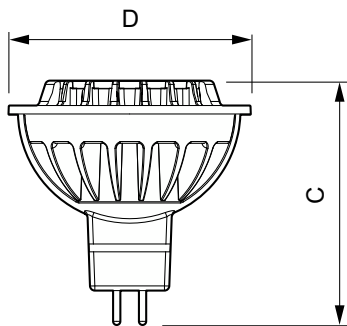
General Information		Operating and Electrical	
Cap-Base	GU5.3 [GU5.3]	Correlated Color Temperature (Nom)	4000 K
Nominal lifetime	40,000 hour(s)	Luminous Efficacy (rated) (Nom)	60.71 lm/W
Switching Cycle	50,000	Color Consistency	<6
Lighting Technology	LED	Color rendering index (CRI)	90
EU RoHS compliant	Yes	LLMF At End Of Nominal Lifetime (Nom)	70 %
		Luminous Flux in 90° Cone (Rated)	425 lm
Light Technical			
Color Code	940 [CCT of 4000K]	Power Consumption	7 W
Beam Angle (Nom)	36 degree(s)	Lamp Current (Nom)	720 mA
Luminous Flux	460 lm	Starting Time (Nom)	0.5 s
Luminous Intensity (Nom)	1,250 cd	Warm-up time to 60% light	1 s
Color Designation	Cool White (CW)	Power Factor (Fraction)	0.7

# MASTER LEDspot LV

Voltage (Nom)	12 V
<b>Temperature</b>	
T-Case Maximum (Nom)	92 °C
<b>Controls and Dimming</b>	
Dimmable	Yes
<b>Mechanical and Housing</b>	
Bulb Shape	MR16 [2inch/50mm]
<b>Approval and Application</b>	
Energy Saving Product	Yes
Suitable For Accent Lighting	Yes

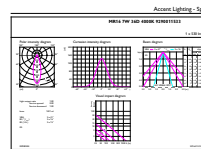
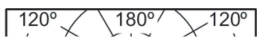
Energy Consumption kWh/1000 h	8 kWh
<b>Product Data</b>	
Order product name	MASTER LED 7-50W 940 MR16 36D Dim CN
Full product name	MASTER LED 7-50W 940 MR16 36D Dim CN
Full product code	694793911348400
Order code	929001153310
Material Nr. (12NC)	929001153310
Numerator - Quantity Per Pack	1
EAN/UPC - Product/Case	6947939113484
Numerator - Packs per outer box	10
EAN/UPC - Case	6947939113491

## Dimensional drawing



Product	D	C
MASTER LED 7-50W 940 MR16 36D Dim CN	51 mm	51 mm

## Photometric data



General Illuminance 11 Photometry 11 Page 11

Light Distribution Diagram - MASTER LED 7-50W 940 MR16 36D Dim CN

General uniform lighting - MASTER LED 7-50W 940 MR16 36D Dim CN

# MASTER LEDspot LV

## Photometric data



Spectral Power Distribution Colour - MASTER LED 7-50W 940 MR16 36D  
Dim CN

