



MASTER VALUE LEDs pot LV

MASTER LEDspotLV D 6.5-35W 930 MR16 60D

Philips MASTER VALUE MR16 is the series of Low Voltage (12 VAC) Halogen MR16 replacements. Not only does it employ Philips' patented solution to guarantee the broadest possible compatibility with standard 12 V Halogen electronic transformers, it also delivers beam intensity which is equivalent to the 50 W Philips Halogen MR16 lamps. The form-factor of Philips MASTER Value LED MR16 guarantees a 100% form on the back-side of the lamp (exact fit with Halogen lamps.)

Warnings and Safety

- Operating temperature range is between -20° C and 45° C ambient
- Only to apply in dry or damp locations and most of open fixtures with lamp-holders that offer sufficient space (10 mm free air space)
- Not intended for use with emergency light fixtures or exit lights

Product data

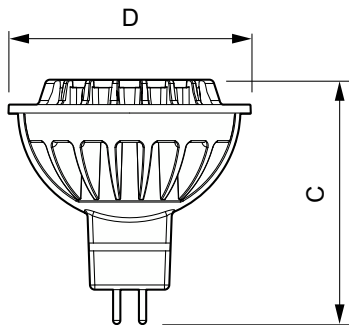
General Information		Correlated Colour Temperature	
Cap base	GU5.3 [GU5.3]	Correlated Colour Temperature	3000 K
Nominal lifetime	40,000 h	Luminous efficacy (rated) (nom.)	56.92 lm/W
Switching Cycle	50,000	Colour consistency	<6
Lighting Technology	LED	Colour rendering index (CRI)	90
EU RoHS compliant	Yes	LLMF at end of nominal lifetime (nom.)	70 %
		Luminous flux in 90° cone (rated)	370 lm
Light Technical		Operating and Electrical	
Colour Code	930 [CCT of 3000K]	Power Consumption	6.5 W
Beam angle (nom.)	60 degree(s)	Lamp current (nom.)	720 mA
Luminous Flux	370 lm	Starting time (nom.)	0.5 s
Luminous intensity (nom.)	460 cd	Warm-up time to 60% light	0.5 s
Colour designation	White (WH)	Power Factor (Fraction)	0.7

MASTER VALUE LEDspot LV

Voltage (nom.)	12 V
Temperature	
T-Case maximum (nom.)	92 °C
Controls and Dimming	
Dimmable	Yes
Mechanical and Housing	
Bulb shape	MR16 [2 inch/50 mm]
Approval and Application	
Suitable for accent lighting	Yes
Energy consumption kWh/1,000 hours	7 kWh

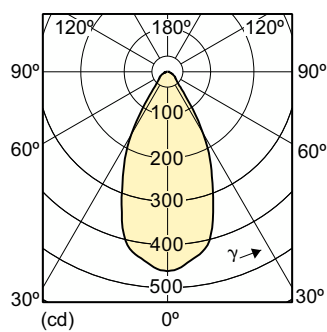
Product Data	
Order product name	MAS LEDspotLV D 6.5-35W 930 MR16 60D
Full product name	MASTER LEDspotLV D 6.5-35W 930 MR16 60D
Full EOC	871869669862400
Order code	69862400
Material no. (12 NC)	929001153532
SAP numerator – quantity per pack	1
EAN/UPC – Product/Case	8718696698624
Numerator – packs per outer box	10
EAN/UPC – Case	8718696698631

Dimensional drawing

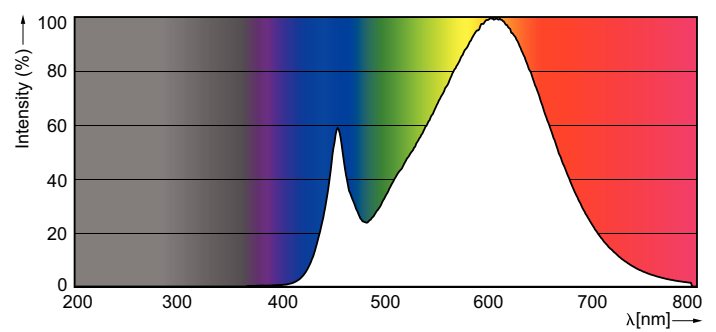


Product	D	C
MAS LEDspotLV D 6.5-35W 930 MR16 60D	50.5 mm	50.5 mm

Photometric data



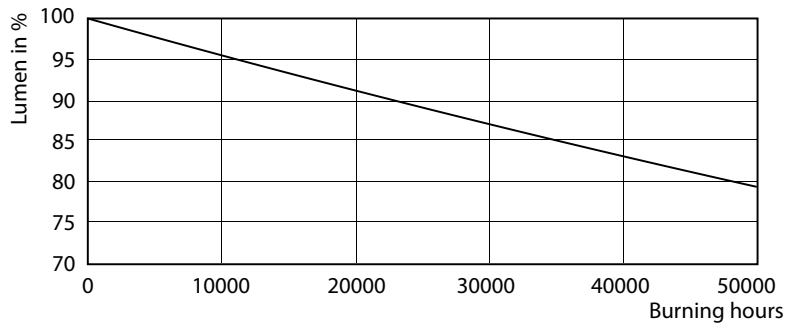
Light Distribution Diagram - MAS LEDspotLV D 6.5-35W 930 MR16 60D



Spectral Power Distribution Colour - MAS LEDspotLV D 6.5-35W 930 MR16 60D

MASTER VALUE LEDspot LV

Lifetime



Lumen Maintenance Diagram - MAS LEDspotLV D 6.5-35W 930 MR16 60D

