



# LED Lamps

## LEDBulb 10.5-75W E27 3000K 230V A60AU/PF

LED Lamps are a perfect fit for general lighting applications. Compatible with most existing fixtures and designed as a retrofit replacement for incandescent and halogen lamps, LED Lamps deliver huge energy savings and minimize maintenance cost

### Product data

General Information	
Cap-Base	E27 [E27]
Nominal lifetime	15,000 hour(s)
Switching Cycle	50,000
Lighting Technology	LED
EU RoHS compliant	Yes
Light Technical	
Color Code	830 [CCT of 3000K]
Beam Angle (Nom)	200 degree(s)
Luminous Flux	1,055 lm
Color Designation	White (WH)
Correlated Color Temperature (Nom)	3000 K
Luminous Efficacy (rated) (Nom)	100.00 lm/W
Color Consistency	<6
Color rendering index (CRI)	80
LLMF At End Of Nominal Lifetime (Nom)	70 %
Operating and Electrical	
Line Frequency	50 to 60 Hz
Input Frequency	50 to 60 Hz
Power Consumption	10.5 W
Lamp Current (Nom)	95 mA

Wattage Equivalent	75 W
Starting Time (Nom)	0.5 s
Warm-up time to 60% light	0.5 s
Power Factor (Fraction)	0.5
Voltage (Nom)	220-240 V

Temperature	
T-Case Maximum (Nom)	87 °C

Controls and Dimming	
Dimmable	No

Mechanical and Housing	
Bulb Finish	Frosted
Bulb Shape	A60 [A 60mm]

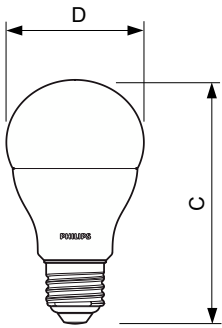
Approval and Application	
Energy Saving Product	Yes
Suitable For Accent Lighting	No
Energy Consumption kWh/1000 h	11 kWh

# LEDLamps

Product Data	
Order product name	LEDBulb 10.5-75W E27 3000K 230V A60AU/PF
Full product name	LEDBulb 10.5-75W E27 3000K 230V A60AU/PF
Full product code	871869648204900
Order code	48204900

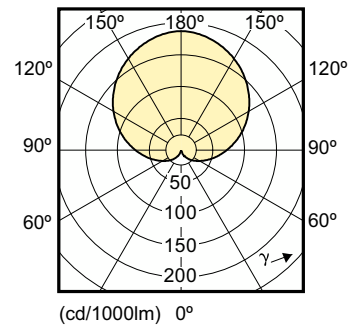
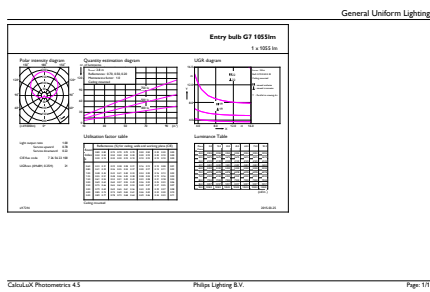
Material Nr. (12NC)	929001162319
Numerator - Quantity Per Pack	1
EAN/UPC - Product/Case	8718696482049
Numerator - Packs per outer box	12
EAN/UPC - Case	8718696482056

## Dimensional drawing



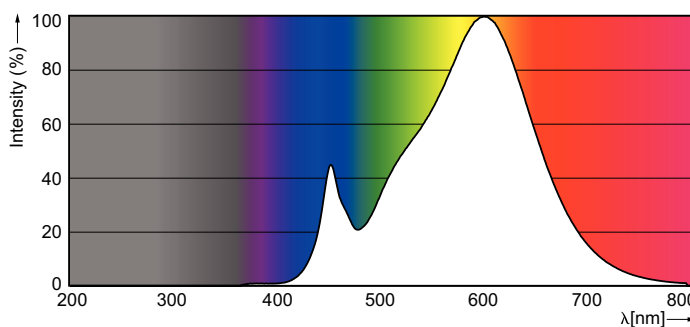
Product	D	C
LEDBulb 10.5-75W E27 3000K 230V A60AU/PF	60 mm	110 mm

## Photometric data



General uniform lighting - LEDBulb 10.5-75W E27 3000K 230V A60AU/PF

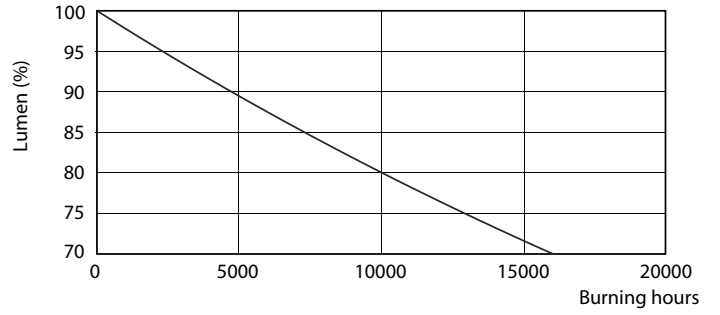
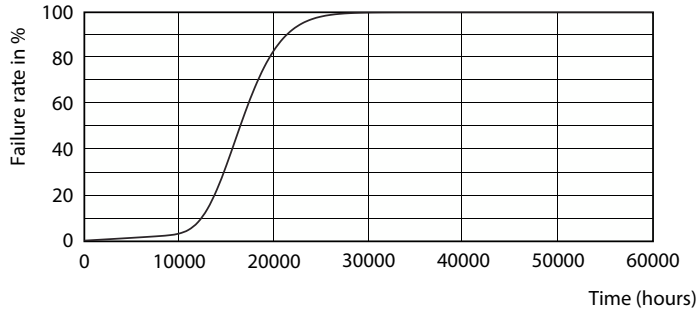
Light Distribution Diagram - LEDBulb 10.5-75W E27 3000K 230V A60AU/PF



Spectral Power Distribution Colour - LEDBulb 10.5-75W E27 3000K 230V A60AU/PF

# LEDLamps

## Lifetime



Life Expectancy Diagram - LEDBulb 10.5-75W E27 3000K 230V A60AU/PF

Lumen Maintenance Diagram - LEDBulb 10.5-75W E27 3000K 230V A60AU/PF

