



# MASTER LEDspot LV AR111

## MAS LEDspotLV D 11-50W 927 AR111 24D

With its new perfect-fit design, the Master LEDspot LV AR111 now works with most of G53 luminaires as a true retrofit solution. The lamp creates a brilliant visual effect for retail and hospitality applications such as shops, showrooms and galleries. The high quality light brings out the true colors in merchandise and emphasizes its beauty. It also lasts long, with a strong lumen and color maintenance. The beautifully designed lamp offers a well-defined beam with a multitude of beam angles to suit various applications. Not only does it employ the Philips patented solution to ensure it is compatible with a broad selection of standard 12V halogen electronic transformers, it also delivers high beam intensity which equivalent to halogen AR111 spots of 50W, 75W or 100W.

### Product data

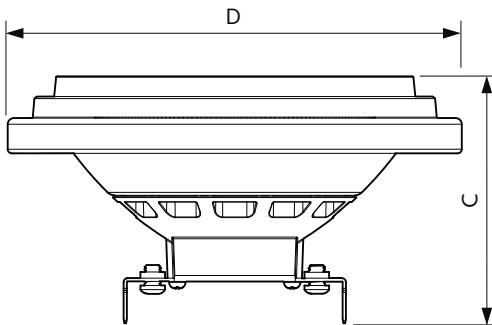
General Information		Color Consistency	
Cap-Base	G53 [G53]	Color rendering index (CRI)	90
Nominal lifetime	40,000 hour(s)	LLMF At End Of Nominal Lifetime (Nom)	70 %
Switching Cycle	50,000	Luminous Flux in 90° Cone (Rated)	560 lm
Lighting Technology	LED	<b>Operating and Electrical</b>	
EU RoHS compliant	Yes	Line Frequency	- Hz
<b>Light Technical</b>		Input Frequency	- Hz
Color Code	927	Power Consumption	11 W
Beam Angle (Nom)	24 degree(s)	Lamp Current (Nom)	1,300 mA
Luminous Flux	620 lm	Wattage Equivalent	50 W
Luminous Intensity (Nom)	2,900 cd	Starting Time (Nom)	0.5 s
Color Designation	Warm White (WW)	Warm-up time to 60% light	instant full light s
Correlated Color Temperature (Nom)	2700 K	Power Factor (Fraction)	0.7
Luminous Efficacy (rated) (Nom)	56.36 lm/W		

# MASTER LEDspot LV AR111

Voltage (Nom)	12 V
<b>Temperature</b>	
T-Case Maximum (Nom)	70 °C
<b>Controls and Dimming</b>	
Dimmable	Yes
<b>Mechanical and Housing</b>	
Bulb Shape	AR111
<b>Approval and Application</b>	
Suitable For Accent Lighting	Yes
Energy Consumption kWh/1000 h	13 kWh

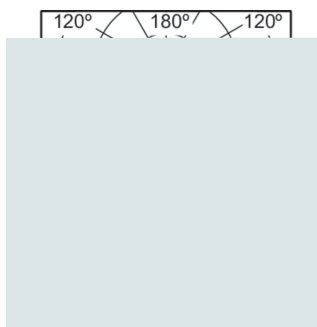
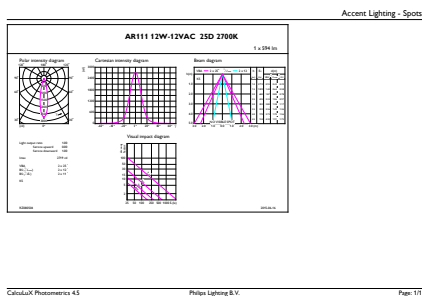
<b>Product Data</b>	
Order product name	MAS LEDspotLV D 11-50W 927 AR111 24D
Full product name	MAS LEDspotLV D 11-50W 927 AR111 24D
Full product code	871869651508200
Order code	929001169808
Material Nr. (12NC)	929001169808
Numerator - Quantity Per Pack	1
EAN/UPC - Product/Case	8718696515082
Numerator - Packs per outer box	6
EAN/UPC - Case	8718696515099

## Dimensional drawing



Product	D	C
MAS LEDspotLV D 11-50W 927 AR111 24D	111 mm	62 mm

## Photometric data



Accent Lighting Spots - MAS LEDspotLV D 11-50W 927 AR111 24D

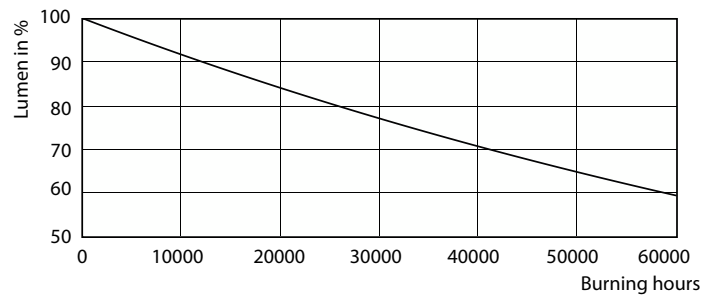
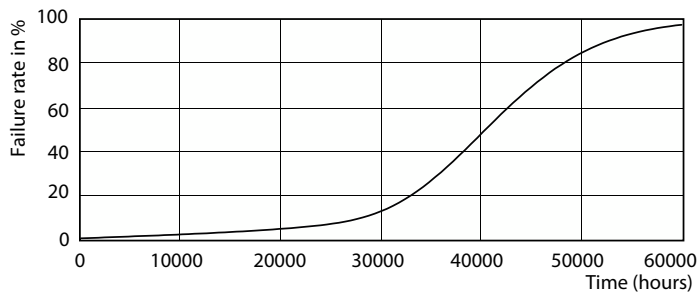
Light Distribution Diagram - MAS LEDspotLV D 11-50W 927 AR111 24D

# MASTER LEDspot LV AR111

## Photometric data

Spectral Power Distribution Colour - MAS LEDspotLV D 11-50W 927 AR111  
24D

## Lifetime



Life Expectancy Diagram - MAS LEDspotLV D 11-50W 927 AR111 24D

Lumen Maintenance Diagram - MAS LEDspotLV D 11-50W 927 AR111 24D

