



LED AR111

16AR111/LED/927/F40 DIM 12V FB 1PK 6/1

With an elegant new design, Philips MasterClass LED AR111 creates a brilliant visual effect. With excellent rendering of 90+ CRI and R9>50, colors stay vibrant and natural, enhancing the appeal of everything on display.

Product data

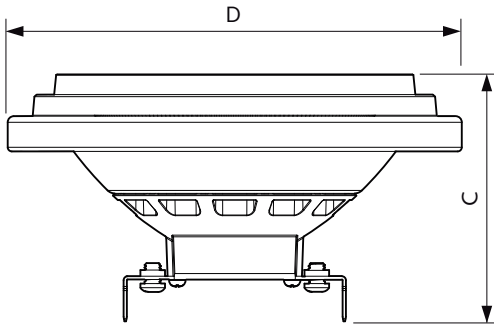
General Information	
Cap-Base	G53 [G53]
EU RoHS compliant	Yes
Nominal Lifetime (Nom)	40000 h
Switching Cycle	50000X
Technical Type	15-75W
Light Technical	
Color Code	927
Beam Angle (Nom)	40 °
Luminous Flux (Nom)	740 lm
Luminous Intensity (Nom)	1400 cd
Color Designation	Warm White (WW)
Correlated Color Temperature (Nom)	2700 K
Luminous Efficacy (rated) (Nom)	55.33 lm/W
Color Consistency	<6
Color Rendering Index (Nom)	90
LLMF At End Of Nominal Lifetime (Nom)	70 %
Luminous Flux in 90° Cone (Rated)	740 lm
Operating and Electrical	
Input Frequency	- Hz
Power (Nom)	15 W
Lamp Current (Nom)	1800 mA

Wattage Equivalent	75 W
Starting Time (Nom)	0.5 s
Warm Up Time to 60% Light (Nom)	0.5 s
Power Factor (Nom)	0.7
Voltage (Nom)	12 V
Temperature	
T-Case Maximum (Nom)	74 °C
Controls and Dimming	
Dimmable	Yes
Approval and Application	
Energy Efficiency Label (EEL)	Not applicable
Suitable For Accent Lighting	Yes
Energy Consumption kWh/1000 h	- kWh
Product Data	
Order product name	16AR111/LED/927/F40 DIM 12V FB 1PK 6/1
EAN/UPC - Product	046677460150
Order code	929001170404
Numerator - Quantity Per Pack	1
Numerator - Packs per outer box	6
Material Nr. (12NC)	929001170404

LED AR111

Net Weight (Piece) 0.160 kg

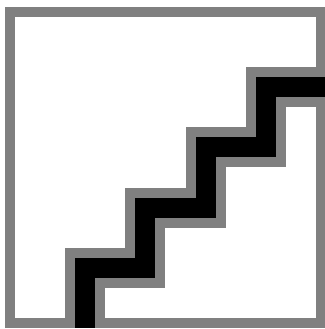
Dimensional drawing



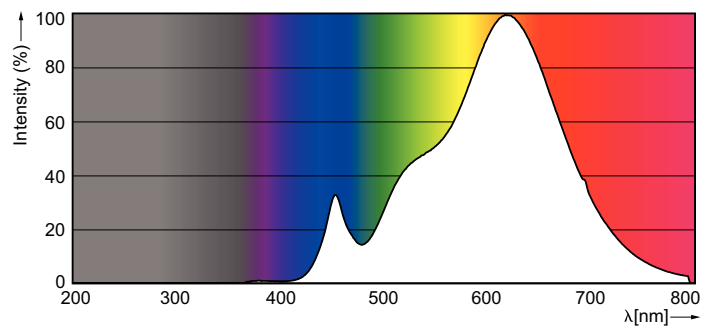
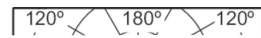
LED D 15-75W 927 AR111 40D

Product	D	C
16AR111/LED/927/F40 DIM 12V FB 1PK 6/1	111 mm	62 mm

Photometric data



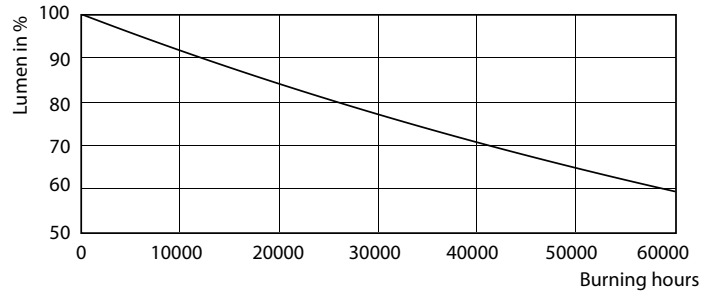
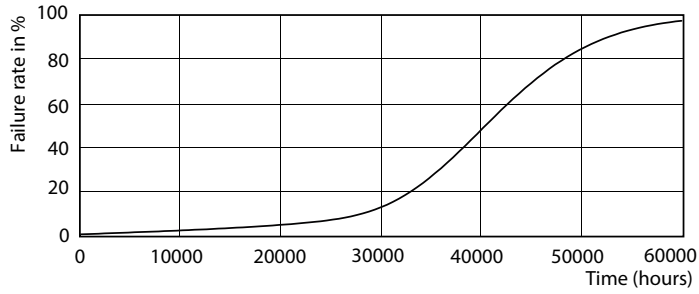
MASTER LEDspot LV AR111 75W G53 927 40D



SDPO_LEDspotL_0027-Spectral Power distribution

LED AR111

Lifetime



MASTER LEDspotLV AR111 75W G53 940 40D

MASTER LEDspotLV AR111 75W G53 940 40D

