



MASTER LEDspot LV AR111

MAS LEDspotLV D 20-100W 827 AR111 40D

With its new perfect-fit design, the Master LEDspot LV AR111 now works with most of G53 luminaires as a true retrofit solution. The lamp creates a brilliant visual effect for retail and hospitality applications such as shops, showrooms and galleries. The high quality light brings out the true colors in merchandise and emphasizes its beauty. It also lasts long, with a strong lumen and color maintenance. The beautifully designed lamp offers a well-defined beam with a multitude of beam angles to suit various applications. Not only does it employ the Philips patented solution to ensure it is compatible with a broad selection of standard 12V halogen electronic transformers, it also delivers high beam intensity which equivalent to halogen AR111 spots of 50W, 75W or 100W.

Product data

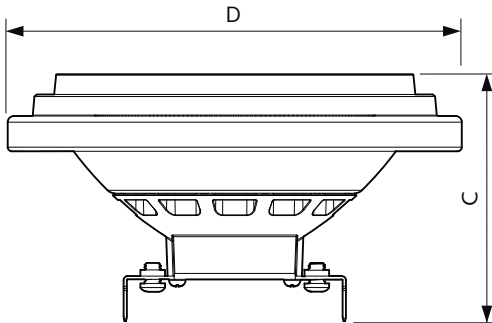
General Information		Color Consistency	
Cap-Base	G53 [G53]	Color rendering index (CRI)	80
Nominal lifetime	25,000 hour(s)	LLMF At End Of Nominal Lifetime (Nom)	70 %
Switching Cycle	50,000	Luminous Flux in 90° Cone (Rated)	1,160 lm
Lighting Technology	LED	Operating and Electrical	
EU RoHS compliant	Yes	Line Frequency	- Hz
Light Technical		Input Frequency	- Hz
Color Code	827 [CCT of 2700K]	Power Consumption	20 W
Beam Angle (Nom)	40 degree(s)	Lamp Current (Nom)	2,400 mA
Luminous Flux	1,160 lm	Wattage Equivalent	100 W
Luminous Intensity (Nom)	2,300 cd	Starting Time (Nom)	0.5 s
Color Designation	Warm White (WW)	Warm-up time to 60% light	0.5 s
Correlated Color Temperature (Nom)	2700 K	Power Factor (Fraction)	0.7
Luminous Efficacy (rated) (Nom)	58.00 lm/W		

MASTER LEDspot LV AR111

Voltage (Nom)	12 V
Temperature	
T-Case Maximum (Nom)	80 °C
Controls and Dimming	
Dimmable	Yes
Mechanical and Housing	
Bulb Shape	AR111
Approval and Application	
Suitable For Accent Lighting	Yes
Energy Consumption kWh/1000 h	22 kWh

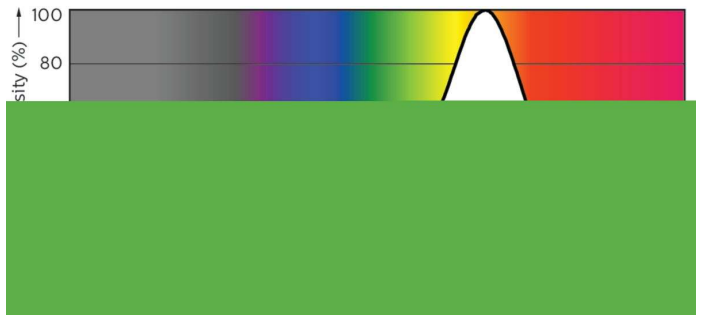
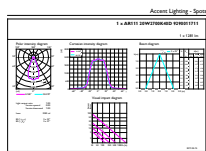
EyeComfort	Yes
Product Data	
Order product name	MAS LEDspotLV D 20-100W 827 AR111 40D
Full product name	MAS LEDspotLV D 20-100W 827 AR111 40D
Full product code	871869670745600
Order code	929001171102
Material Nr. (12NC)	929001171102
Numerator - Quantity Per Pack	1
EAN/UPC - Product/Case	8718696707456
Numerator - Packs per outer box	6
EAN/UPC - Case	8718696707463

Dimensional drawing



Product	D	C
MAS LEDspotLV D 20-100W 827 AR111 40D	111 mm	62 mm

Photometric data

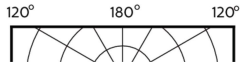


Accent Lighting Spots - MAS LEDspotLV D 20-100W 827 AR111 40D

Spectral Power Distribution Colour - MAS LEDspotLV D 20-100W 827 AR111 40D

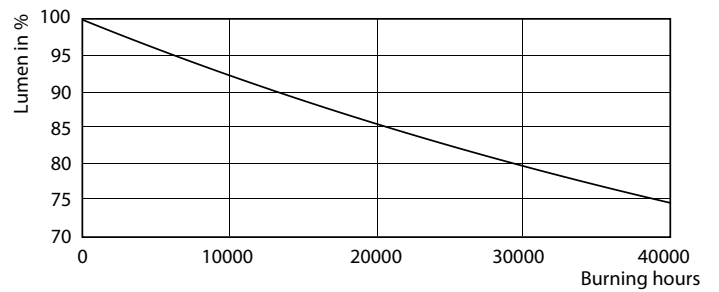
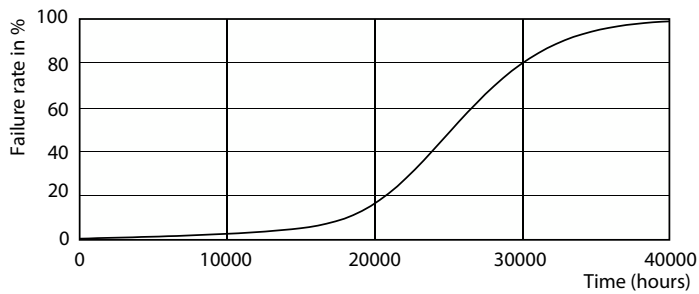
MASTER LEDspot LV AR111

Photometric data



Light Distribution Diagram - MAS LEDspotLV D 20-100W 827 AR111 40D

Lifetime



Life Expectancy Diagram - MAS LEDspotLV D 20-100W 827 AR111 40D

Lumen Maintenance Diagram - MAS LEDspotLV D 20-100W 827 AR111 40D

