



MASTER LEDspot LV AR111

MAS LEDspotLV D 20-100W 827 AR111 40D

Delivering a warm, halogen-like accent beam, MASTER LEDspot LV AR111 is an ideal retrofit solution for spot and general lighting applications in the hospitality and retail industry. It is particularly suitable for general lighting where the light is on all the time, such as creative accent lighting applications in shops, restaurants, hotels, and especially for galleries, exhibitions and museums. The robustly designed MASTER LEDspot LV AR111 offers various beam angles for a clearly defined beam spread. There is no UV or IR in the beam, making it suitable for illuminating heat-sensitive objects (food, organic materials, paintings, etc.). The patented intelligent driver enables broad compatibility with existing electromagnetic and electronic halogen transformers. MASTER LEDspot LV AR111 delivers huge energy savings and minimises maintenance cost without any reduction in brightness.

Product data

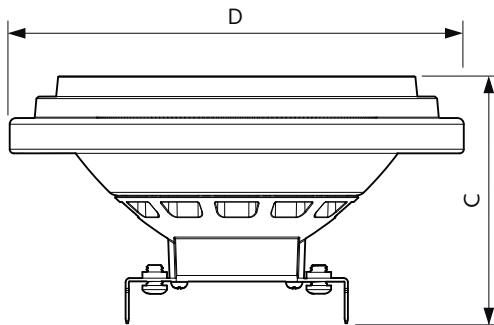
General Information		Luminous Efficacy (rated) (Nom)	
Cap-Base	G53 [G53]		65 lm/W
Nominal lifetime	25,000 hour(s)	Color Consistency	<3
Switching Cycle	50,000	Color rendering index (CRI)	80
Lighting Technology	LED	LLMF At End Of Nominal Lifetime (Nom)	70 %
EU RoHS compliant	Yes		
Light Technical		Operating and Electrical	
Color Code	827 [CCT of 2700K]	Line Frequency	- Hz
Beam Angle (Nom)	40 degree(s)	Input Frequency	- Hz
Luminous Flux	1,300 lm	Power Consumption	20 W
Luminous Intensity (Nom)	2,300 cd	Lamp Current (Nom)	2,400 mA
Color Designation	Warm White (WW)	Wattage Equivalent	100 W
Correlated Color Temperature (Nom)	2700 K	Starting Time (Nom)	0.5 s
		Warm-up time to 60% light	0.5 s
		Power Factor (Fraction)	0.7

MASTER LEDspot LV AR111

Voltage (Nom)	12 V
Temperature	
T-Case Maximum (Nom)	80 °C
Controls and Dimming	
Dimmable	Yes
Mechanical and Housing	
Bulb Shape	AR111
Approval and Application	
Suitable For Accent Lighting	Yes
Energy Consumption kWh/1000 h	22 kWh

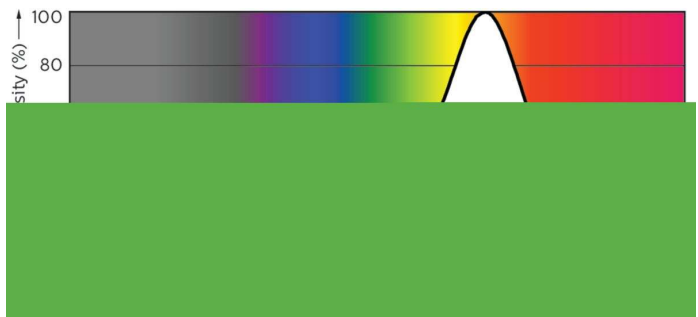
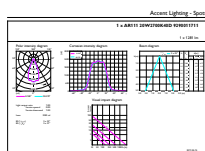
Product Data	
Order product name	MAS LEDspotLV D 20-100W 827 AR111 40D
Full product name	MAS LEDspotLV D 20-100W 827 AR111 40D
Full product code	871869671087600
Order code	929001171108
Material Nr. (12NC)	929001171108
Numerator - Quantity Per Pack	1
EAN/UPC - Product/Case	8718696710876
Numerator - Packs per outer box	6
EAN/UPC - Case	8718696710883

Dimensional drawing



Product	D	C
MAS LEDspotLV D 20-100W 827 AR111 40D	111 mm	62 mm

Photometric data

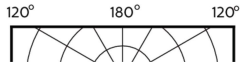


Accent Lighting Spots - MAS LEDspotLV D 20-100W 827 AR111 40D

Spectral Power Distribution Colour - MAS LEDspotLV D 20-100W 827 AR111 40D

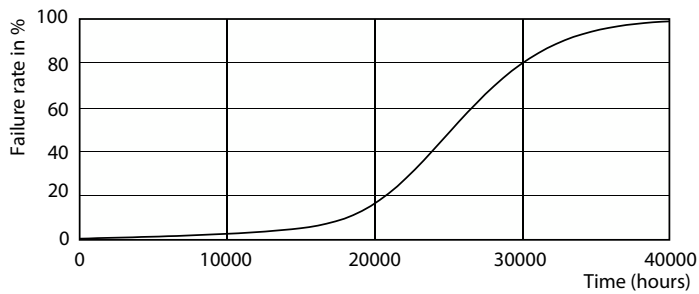
MASTER LEDspot LV AR111

Photometric data

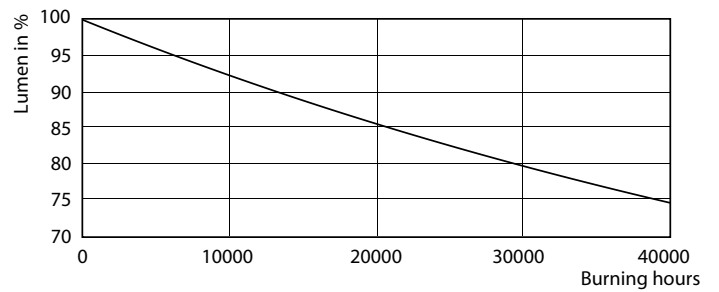


Light Distribution Diagram - MAS LEDspotLV D 20-100W 827 AR111 40D

Lifetime



Life Expectancy Diagram - MAS LEDspotLV D 20-100W 827 AR111 40D



Lumen Maintenance Diagram - MAS LEDspotLV D 20-100W 827 AR111 40D

