



# A-Shape LED

## 120V A19 E26 9W-60W 3000K D

Philips A-shape Dimmable LED lamps are the smart LED alternative to standard incandescents. The unique lamp design provides omi-directional light with excellent dimming performance.

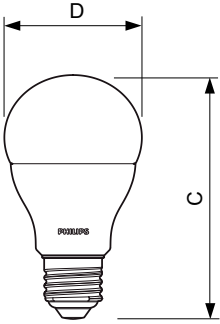
### Product data

General Information	
Cap-Base	E26 [ Single Contact Medium Screw]
Nominal Lifetime (Nom)	25000 h
Switching Cycle	50000X
Technical Type	9-60W
Light Technical	
Color Code	830 [ CCT of 3000K]
Luminous Flux (Nom)	800 lm
Luminous Flux (Rated) (Nom)	800 lm
Color Designation	Cool White (CW)
Correlated Color Temperature (Nom)	3000 K
Luminous Efficacy (rated) (Nom)	84.2 lm/W
Color Consistency	<6
Color Rendering Index (Nom)	80
LLMF At End Of Nominal Lifetime (Nom)	70 %
Operating and Electrical	
Input Frequency	60 Hz
Power (Rated) (Nom)	9 W
Lamp Current (Nom)	105 mA
Starting Time (Nom)	0.5 s
Warm Up Time to 60% Light (Nom)	0.5 s
Power Factor (Nom)	0.8

Voltage (Nom)	120 V
Temperature	
T-Case Maximum (Nom)	95 °C
Controls and Dimming	
Dimmable	Yes
Mechanical and Housing	
Bulb Finish	Frosted
Approval and Application	
Suitable For Accent Lighting	Yes
Energy Consumption kWh/1000 h	9.0 kWh
Product Data	
Order product name	120V A19 E26 9W-60W 3000K D
EAN/UPC - Product	046677459055
Order code	929001179204
Numerator - Quantity Per Pack	1
Numerator - Packs per outer box	6
Material Nr. (12NC)	929001179204
Net Weight (Piece)	0.130 kg

# A-Shape LED

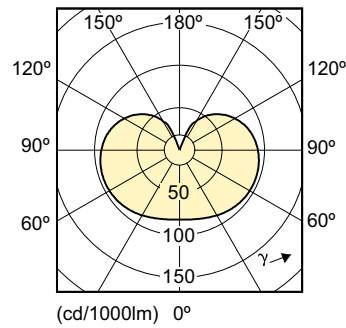
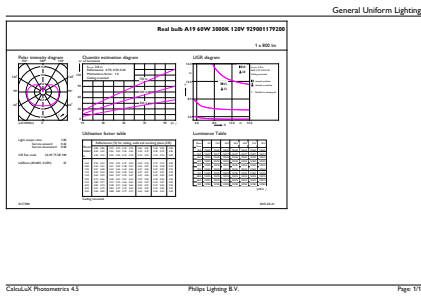
## Dimensional drawing



Product	D	C
120V A19 E26 9W-60W 3000K D	62.0 mm	110.8 mm

Real Bulb A19 120V 9.5W-60W 3000K E26 D

## Photometric data



LEDbulb, Bulb A19 9W-60W 3000K 800lm

