



LED InstantFit Lamps

10.5PL-C/T LED/26V-4000 IF 4P 10/1

Philips LED T8 InstantFit Lamps are an ideal energy saving choice for existing linear fluorescent fixtures.

Warnings and Safety

- Perform a visual inspection to ensure lamp holders (or sockets) are not damaged or loose. If the lamp holders (or sockets) are damaged, corroded, charred, blackened or loose, contact a qualified electrician for proper replacement.
- Please refer to the ballast compatibility guide located at www.philips.com/instantfit.

Product data

General Information	
Cap-Base	GX24Q-3 [GX24q-3]
Nominal lifetime	40,000 hour(s)
Switching Cycle	50,000
Lighting Technology	LED
EU RoHS compliant	Yes
Light Technical	
Color Code	840 [CCT of 4000K]
Beam Angle (Nom)	120 degree(s)
Luminous Flux	1,300 lm
Correlated Color Temperature (Nom)	4000 K
Color Consistency	<6
Color rendering index (CRI)	82
LLMF At End Of Nominal Lifetime (Nom)	70 %
Operating and Electrical	
Line Frequency	50 to 60 Hz
Input Frequency	50 to 60 Hz
Power Consumption	10.5 W

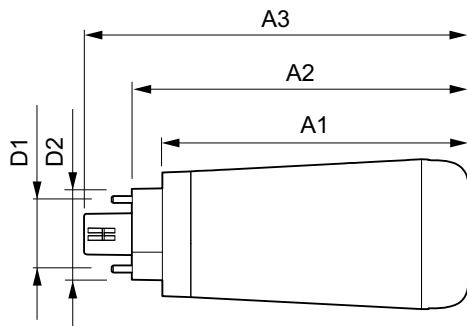
Starting Time (Nom)	0.5 s
Warm-up time to 60% light	Instant full light s
Power Factor (Fraction)	0.9
Voltage (Nom)	120-277 V
Temperature	
Ambient temperature range	-20 °C to 35 °C
T-Case Maximum (Nom)	77 °C
Controls and Dimming	
Dimmable	No
Mechanical and Housing	
Product Length	100 mm
Approval and Application	
Energy Saving Product	Yes
Suitable For Accent Lighting	No
Approval Marks	CE marking UL certificate RoHS compliance KEMA Keur certificate

LED InstantFit Lamps

Energy Consumption kWh/1000 h	14.5 kWh
Product Data	
Order product name	10.5PL-C/T LED/26V-4000 IF 4P 10/1
Full product name	10.5PL-C/T LED/26V-4000 IF 4P 10/1
Order code	458430
Material Nr. (12NC)	929001181404

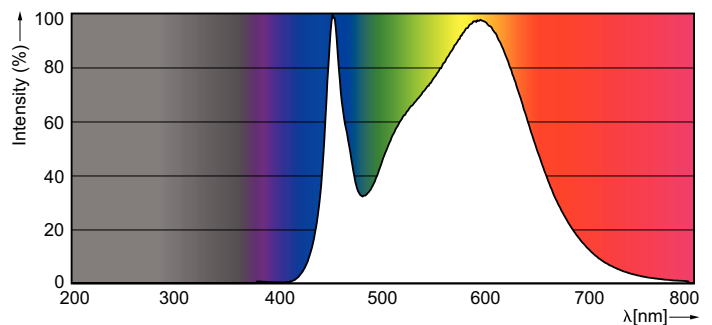
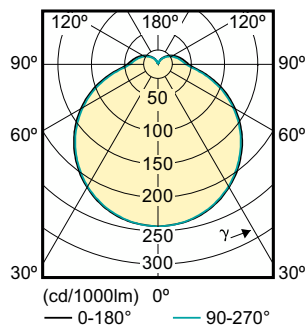
Numerator - Quantity Per Pack	1
EAN/UPC - Product/Case	046677458430
Numerator - Packs per outer box	10
EAN/UPC - Case	50046677458435

Dimensional drawing



Product	D1	D2	A1	A2	A3
10.5PL-C/T LED/26V-4000 IF 4P 10/1	24.3 mm	29 mm	99.9 mm	109.9 mm	125.5 mm

Photometric data



Light Distribution Diagram - 10.5PL-C/T LED/26V-4000 IF 4P 10/1

Spectral Power Distribution Colour - 10.5PL-C/T LED/26V-4000 IF 4P 10/1

