



LED InstantFit Lamps

10.5PL-C/T LED/26V-4000 IF 4P 10/1

Philips LED T8 InstantFit Lamps are an ideal energy saving choice for existing linear fluorescent fixtures.

Warnings and Safety

- Perform a visual inspection to ensure lamp holders (or sockets) are not damaged or loose. If the lamp holders (or sockets) are damaged, corroded, charred, blackened or loose, contact a qualified electrician for proper replacement.
- Please refer to the ballast compatibility guide located at www.philips.com/instantfit.

Product data

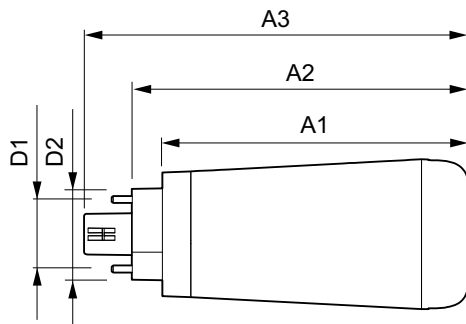
General Information		Starting Time (Nom)	
Cap-Base	GX24Q-3 [GX24q-3]		0.5 s
Nominal lifetime	40,000 hour(s)	Warm-up time to 60% light	Instant full light s
Switching Cycle	50,000	Power Factor (Fraction)	0.9
Lighting Technology	LED	Voltage (Nom)	120-277 V
EU RoHS compliant	Yes		
Light Technical		Temperature	
Color Code	840 [CCT of 4000K]	Ambient temperature range	-4 °F to 95 °F
Beam Angle (Nom)	120 degree(s)	T-Case Maximum (Nom)	171 °F
Luminous Flux	1,300 lm		
Correlated Color Temperature (Nom)	4000 K	Controls and Dimming	
Color Consistency	<6	Dimmable	No
Color rendering index (CRI)	82		
LLMF At End Of Nominal Lifetime (Nom)	70 %	Mechanical and Housing	
		Product Length	100 mm
Operating and Electrical		Approval and Application	
Line Frequency	50 to 60 Hz	Energy Saving Product	Yes
Input Frequency	50 to 60 Hz	Suitable For Accent Lighting	No
Power Consumption	10.5 W	Approval Marks	CE marking UL certificate RoHS compliance KEMA Keur certificate

LED InstantFit Lamps

Energy Consumption kWh/1000 h	14.5 kWh
Product Data	
Order product name	10.5PL-C/T LED/26V-4000 IF 4P 10/1
Full product name	10.5PL-C/T LED/26V-4000 IF 4P 10/1
Order code	458430
Material Nr. (12NC)	929001181404

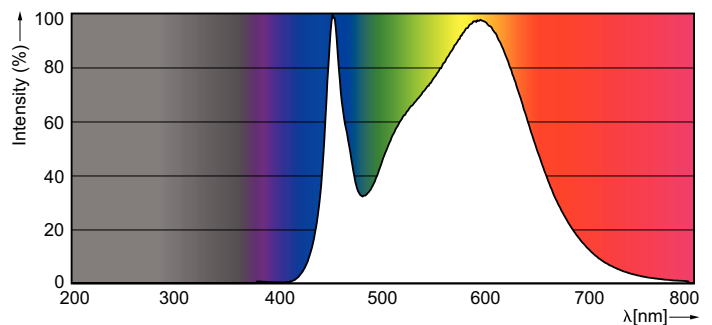
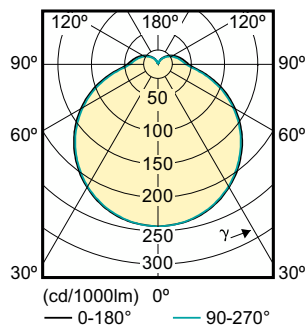
Numerator - Quantity Per Pack	1
EAN/UPC - Product/Case	046677458430
Numerator - Packs per outer box	10
EAN/UPC - Case	50046677458435

Dimensional drawing



Product	D1	D2	A1	A2	A3
10.5PL-C/T LED/26V-4000 IF 4P 10/1	1 inch	1-3/16 inch	3-15/16 inch	4-3/8 inch	5 inch

Photometric data



Light Distribution Diagram - 10.5PL-C/T LED/26V-4000 IF 4P 10/1

Spectral Power Distribution Colour - 10.5PL-C/T LED/26V-4000 IF 4P 10/1

