



PAR38 LED

120V PAR38 12W 35D 830 D ULW SO

Philips PAR38 LED Single Optic Lamps with AirFlux Technology improves shopping experience with superior lighting aesthetics and optimal thermal efficiency in a sleek, lightweight design.

Product data

| General Information | |
|------------------------|------------------------------------|
| Cap-Base | E26 [Single Contact Medium Screw] |
| Nominal Lifetime (Nom) | 25000 h |
| Switching Cycle | 50000X |
| Technical Type | 12-100W |

| Light Technical | |
|---------------------------------------|---------------------|
| Color Code | 830 [CCT of 3000K] |
| Beam Angle (Nom) | 35 ° |
| Luminous Flux (Nom) | 1100 lm |
| Luminous Flux (Rated) (Nom) | 1100 lm |
| Luminous Intensity (Nom) | 2500 cd |
| Color Designation | White (WH) |
| Rated Beam Angle | 35 ° |
| Correlated Color Temperature (Nom) | 3000 K |
| Luminous Efficacy (rated) (Nom) | 92 lm/W |
| Color Consistency | <6 |
| Color Rendering Index (Nom) | 80 |
| LLMF At End Of Nominal Lifetime (Nom) | 70 % |

| Operating and Electrical | |
|--------------------------|--------|
| Input Frequency | 60 Hz |
| Power (Rated) (Nom) | 12 W |
| Lamp Current (Nom) | 108 mA |

| | |
|---------------------------------|-------|
| Wattage Equivalent | 100 W |
| Starting Time (Nom) | 0.5 s |
| Warm Up Time to 60% Light (Nom) | 0.5 s |
| Power Factor (Nom) | 0.85 |
| Voltage (Nom) | 120 V |

| Temperature | |
|----------------------|-------|
| T-Case Maximum (Nom) | 72 °C |

| Controls and Dimming | |
|----------------------|-----|
| Dimmable | Yes |

| Approval and Application | |
|-------------------------------|----------------|
| Suitable For Accent Lighting | Yes |
| Energy Efficiency Label (EEL) | Not applicable |

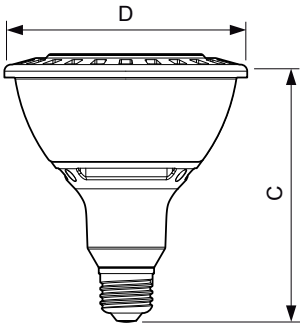
| Product Data | |
|---------------------------------|---------------------------------|
| Order product name | 120V PAR38 12W 35D 830 D ULW SO |
| EAN/UPC - Product | 046677460105 |
| Order code | 929001183404 |
| Numerator - Quantity Per Pack | 1 |
| Numerator - Packs per outer box | 6 |
| Material Nr. (12NC) | 929001183404 |
| Net Weight (Piece) | 0.001 kg |

PAR38 LED

Warnings and Safety

- Suitable for use in damp locations.
- Not for use in totally enclosed luminaires.
- CAUTION: Risk of electric shock - do not use where directly exposed to water.
- NOTES: This device complies with Part 18 of the FCC rule. This product may cause interference with other devices. If interference occurs, change the location of the products involved. This RFLD device complies with Canadian ICES-005

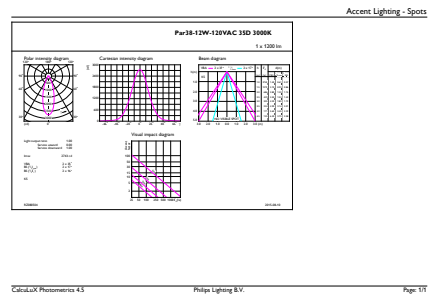
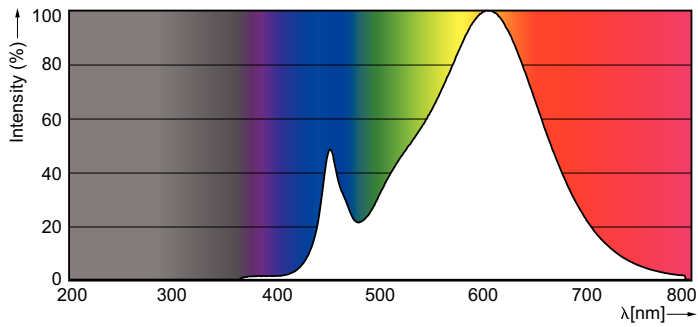
Dimensional drawing



PAR38 OD 13W-100W 1050lm 35D 3000K D

| Product | D | C |
|---------------------------------|--------|--------|
| 120V PAR38 12W 35D 830 D ULW SO | 123 mm | 134 mm |

Photometric data



LEDspot, PAR38 13W 1050lm 3000K 35D

