



A-Shape LED

9.5A19/AMB/822-827 DIM 120V

Philips A-shape Dimmable LED lamps are the smart LED alternative to standard incandescents. The unique lamp design provides omi-directional light with excellent dimming performance.

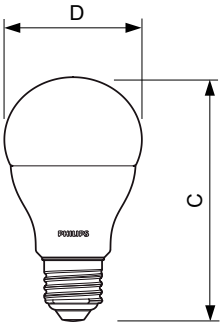
Product data

| General Information | |
|---------------------------------------|------------------------------------|
| Cap-Base | E26 [Single Contact Medium Screw] |
| Nominal Lifetime (Nom) | 25000 h |
| Switching Cycle | 50000X |
| Technical Type | 9.5-60W |
| Light Technical | |
| Color Code | 822-827 [tunable warm white] |
| Luminous Flux (Nom) | 800 lm |
| Luminous Flux (Rated) (Nom) | 800 lm |
| Color Designation | Warm Glow(WG) |
| Correlated Color Temperature (Nom) | 2200-2700 K |
| Luminous Efficacy (rated) (Nom) | 84.21 lm/W |
| Color Consistency | ANSI |
| Color Rendering Index (Nom) | 80 |
| LLMF At End Of Nominal Lifetime (Nom) | 70 % |
| Operating and Electrical | |
| Input Frequency | 60 Hz |
| Power (Rated) (Nom) | 9.5 W |
| Lamp Current (Nom) | 105 mA |
| Starting Time (Nom) | 0.5 s |
| Warm Up Time to 60% Light (Nom) | 0.5 s |
| Power Factor (Nom) | 0.7 |

| Voltage (Nom) | 120 V |
|---------------------------------|-----------------------------|
| Temperature | |
| T-Case Maximum (Nom) | 95 °C |
| Controls and Dimming | |
| Dimmable | Yes |
| Mechanical and Housing | |
| Bulb Finish | Frosted |
| Approval and Application | |
| Suitable For Accent Lighting | Yes |
| Product Data | |
| Order product name | 9.5A19/AMB/822-827 DIM 120V |
| EAN/UPC - Product | 046677455828 |
| Order code | 929001184004 |
| Numerator - Quantity Per Pack | 1 |
| Numerator - Packs per outer box | 6 |
| Material Nr. (12NC) | 929001184004 |
| Net Weight (Piece) | 0.084 kg |

A-Shape LED

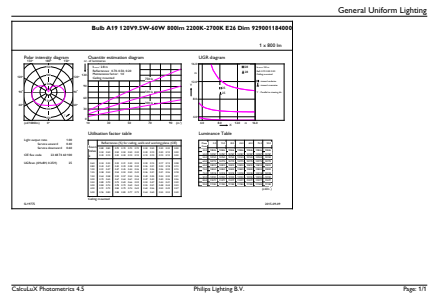
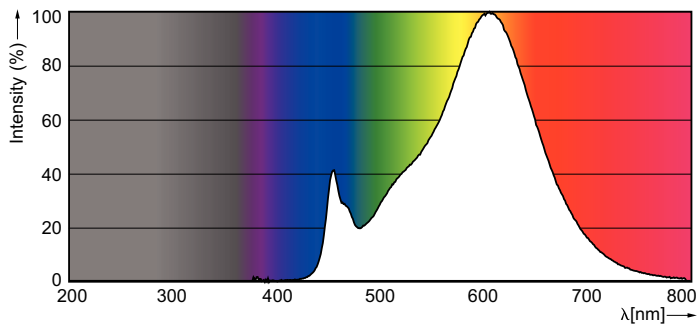
Dimensional drawing



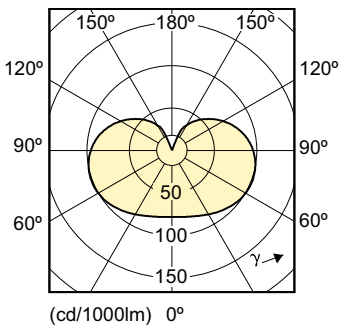
Bulb A19 120V 9.5W-60W 800lm 2700K E26 D

| Product | D | C |
|-----------------------------|---------|----------|
| 9.5A19/AMB/822-827 DIM 120V | 61.4 mm | 109.8 mm |

Photometric data



LEDlamps, A19 9.5W-60W 2200-2700K 800lm



A-Shape LED

