



Standard LED bulbs

LEDBulb 9W E27 3000K W A19 4PF/3 MX

Standard LED bulbs are compatible with existing fixtures with a E27 holder and are designed for retrofit replacement of incandescent, halogen and energy saving bulbs. They deliver huge energy savings and minimize maintenance costs. The Standard LED bulb is the perfect bulb for your basic lighting needs. It provides the beautiful light and performance you expect from the LED technology at an affordable price.

Product data

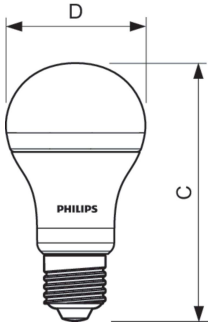
General Information	
Cap-Base	E27 [E27]
Nominal lifetime	25,000 hour(s)
Switching Cycle	50,000
Lighting Technology	LED
EU RoHS compliant	Yes
Light Technical	
Color Code	830 [CCT of 3000K]
Beam Angle (Nom)	150 degree(s)
Luminous Flux	806 lm
Color Designation	White (WH)
Correlated Color Temperature (Nom)	3000 K
Luminous Efficacy (rated) (Nom)	89.00 lm/W
Color Consistency	ANSI
Color rendering index (CRI)	80
LLMF At End Of Nominal Lifetime (Nom)	70 %
Operating and Electrical	
Line Frequency	50 to 60 Hz
Input Frequency	50 to 60 Hz
Power Consumption	9 W

Starting Time (Nom)	0.5 s
Warm-up time to 60% light	0.5 s
Power Factor (Fraction)	0.92
Voltage (Nom)	100-240 V
Temperature	
T-Case Maximum (Nom)	80 °C
Controls and Dimming	
Dimmable	No
Mechanical and Housing	
Bulb Finish	Frosted
Bulb Shape	A19 [A 19mm]
Product Data	
Order product name	LEDBulb 9W E27 3000K W A19 4PF/3 MX
Full product name	LEDBulb 9W E27 3000K W A19 4PF/3 MX
Full product code	871869679355800
Order code	929001195372
Material Nr. (12NC)	929001195372
Numerator - Quantity Per Pack	1

Standard LED bulbs

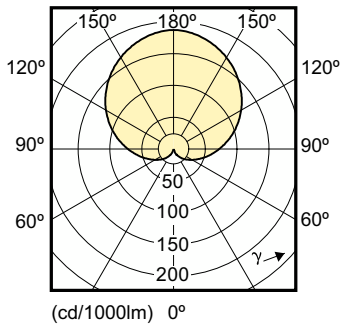
EAN/UPC - Product/Case	8718696793558
Numerator - Packs per outer box	3
EAN/UPC - Case	8718696793565

Dimensional drawing



Product	D	C
LEDBulb 9W E27 3000K W A19 4PF/3 MX	60 mm	110 mm

Photometric data



Light Distribution Diagram - LEDBulb 9W E27 3000K W A19 4PF/3 MX

Spectral Power Distribution Colour - LEDBulb 9W E27 3000K W A19 4PF/3 MX

