



Standard LED bulbs

LEDBulb 8W E27 3000K W A60 1BL/6 BR

Standard LED bulbs are compatible with existing fixtures with a E27 holder and are designed for retrofit replacement of incandescent, halogen and energy saving bulbs. They deliver huge energy savings and minimize maintenance costs. The Standard LED bulb is the perfect bulb for your basic lighting needs. It provides the beautiful light and performance you expect from the LED technology at an affordable price.

Product data

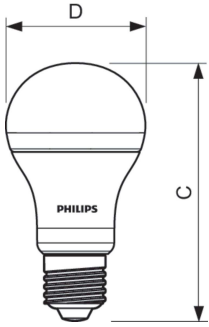
General Information		Wattage Equivalent	
Cap-Base	E27 [E27]		60 W
Nominal lifetime	25,000 hour(s)	Starting Time (Nom)	0.5 s
Switching Cycle	50,000	Warm-up time to 60% light	0.5 s
Lighting Technology	LED	Power Factor (Fraction)	0.92
EU RoHS compliant	Yes	Voltage (Nom)	100-240 V
Light Technical		Temperature	
Color Code	830 [CCT of 3000K]	T-Case Maximum (Nom)	80 °C
Beam Angle (Nom)	150 degree(s)	Controls and Dimming	
Luminous Flux	806 lm	Dimmable	No
Color Designation	White (WH)	Mechanical and Housing	
Correlated Color Temperature (Nom)	3000 K	Bulb Finish	Frosted
Luminous Efficacy (rated) (Nom)	100.00 lm/W	Bulb Shape	A60 [A 60mm]
Color Consistency	ANSI	Product Data	
Color rendering index (CRI)	80	Order product name	LEDBulb 8W E27 3000K W A60 1BL/6 BR
LLMF At End Of Nominal Lifetime (Nom)	70 %	Full product name	LEDBulb 8W E27 3000K W A60 1BL/6 BR
Operating and Electrical		Full product code	871869667873200
Line Frequency	50 to 60 Hz	Order code	929001195391
Input Frequency	50 to 60 Hz	Material Nr. (12NC)	929001195391
Power Consumption	8 W		

Standard LED bulbs

Numerator - Quantity Per Pack	1
EAN/UPC - Product/Case	8718696678732
Numerator - Packs per outer box	6

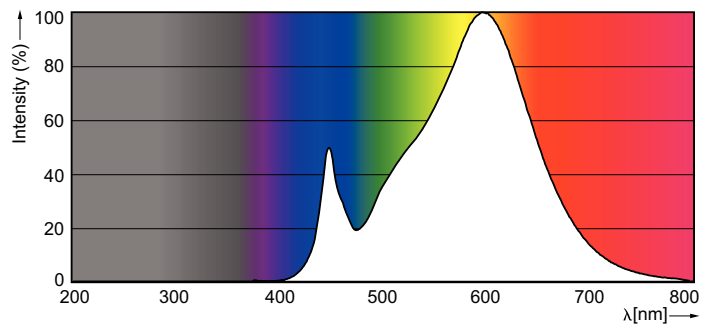
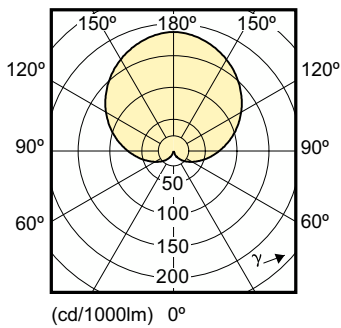
EAN/UPC - Case	8718696678749
----------------	---------------

Dimensional drawing



Product	D	C
LEDBulb 8W E27 3000K W A60 1BL/6 BR	60 mm	110 mm

Photometric data



Light Distribution Diagram - LEDBulb 8W E27 3000K W A60 1BL/6 BR

Spectral Power Distribution Colour - LEDBulb 8W E27 3000K W A60 1BL/6 BR

