



Standard LED bulbs

LEDBulb 13.5W E27 3000K W A21 2PF/6 MX

Standard LED bulbs are compatible with existing fixtures with a E27 holder and are designed for retrofit replacement of incandescent, halogen and energy saving bulbs. They deliver huge energy savings and minimize maintenance costs. The Standard LED bulb is the perfect bulb for your basic lighting needs. It provides the beautiful light and performance you expect from the LED technology at an affordable price.

Product data

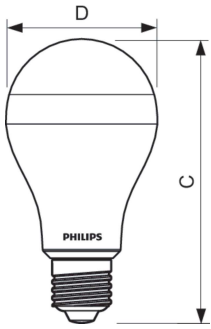
General Information	
Cap-Base	E27 [E27]
Nominal lifetime	25,000 hour(s)
Switching Cycle	50,000
Lighting Technology	LED
EU RoHS compliant	Yes
Light Technical	
Color Code	830 [CCT of 3000K]
Beam Angle (Nom)	150 degree(s)
Luminous Flux	1,521 lm
Color Designation	White (WH)
Correlated Color Temperature (Nom)	3000 K
Luminous Efficacy (rated) (Nom)	112.00 lm/W
Color Consistency	<6
Color rendering index (CRI)	80
LLMF At End Of Nominal Lifetime (Nom)	70 %
Operating and Electrical	
Line Frequency	50 to 60 Hz
Input Frequency	50 to 60 Hz
Power Consumption	13.5 W

Starting Time (Nom)	0.5 s
Warm-up time to 60% light	0.5 s
Power Factor (Fraction)	0.8
Voltage (Nom)	100-240 V
Temperature	
T-Case Maximum (Nom)	70 °C
Controls and Dimming	
Dimmable	No
Mechanical and Housing	
Bulb Finish	Frosted
Bulb Shape	A21 [A 21mm]
Product Data	
Order product name	LEDBulb 13.5W E27 3000K W A21 2PF/6 MX
Full product name	LEDBulb 13.5W E27 3000K W A21 2PF/6 MX
Full product code	871869665800000
Order code	929001195799
Material Nr. (12NC)	929001195799
Numerator - Quantity Per Pack	1

Standard LED bulbs

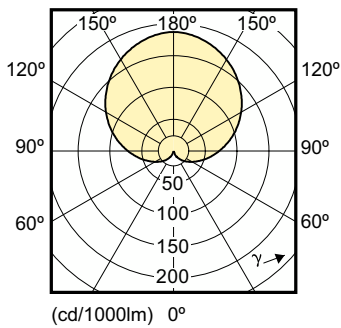
EAN/UPC - Product/Case	8718696658000
Numerator - Packs per outer box	6
EAN/UPC - Case	8718696658017

Dimensional drawing

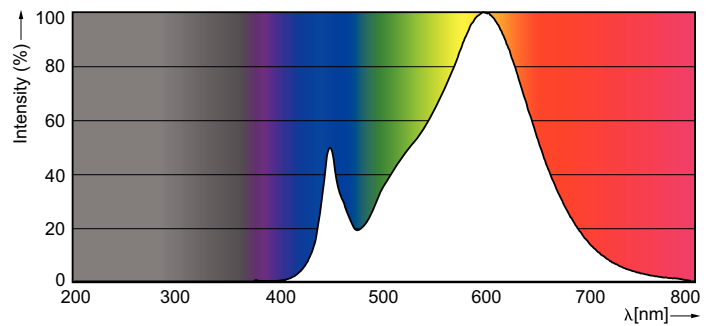


Product	D	C
LEDBulb 13.5W E27 3000K W A21 2PF/6 MX	68 mm	127 mm

Photometric data



Light Distribution Diagram - LEDBulb 13.5W E27 3000K W A21 2PF/6 MX



Spectral Power Distribution Colour - LEDBulb 13.5W E27 3000K W A21 2PF/6 MX

