



A-Shape LED

9A19/AMB/850/DIM 120V 6/1

Philips A-shape Dimmable LED lamps are the smart LED alternative to standard incandescents. The unique lamp design provides omi-directional light with excellent dimming performance.

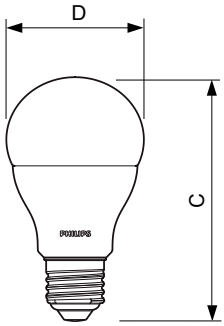
Product data

General Information	
Base	E26 [Single Contact Medium Screw]
Nominal Lifetime (Nom)	25000 h
Switching Cycle	50000X
Technical Type	9-60W
Light Technical	
Color Code	850 [CCT of 5000K]
Initial lumen (Nom)	800 lm
Luminous Flux (Rated) (Nom)	800 lm
Color Designation	Daylight
Correlated Color Temperature (Nom)	5000 K
Luminous Efficacy (rated) (Nom)	88.88 lm/W
Color Consistency	ANSI
Color Rendering Index (Nom)	80
LLMF At End Of Nominal Lifetime (Nom)	70 %
Operating and Electrical	
Input Frequency	60 Hz
Power (Rated) (Nom)	9 W
Lamp Current (Nom)	100 mA
Starting Time (Nom)	0.5 s
Warm Up Time to 60% Light (Nom)	0.5 s
Power Factor (Nom)	0.7

Voltage (Nom)	120 V
Temperature	
T-Case Maximum (Nom)	95 °C
Controls and Dimming	
Dimmable	Yes
Mechanical and Housing	
Bulb Finish	Frosted (FR)
Approval and Application	
Suitable For Accent Lighting	Yes
Product Data	
Order product name	9A19/AMB/850 DIM 120V
EAN/UPC - Product	046677455880
Order code	455881
Numerator - Quantity Per Pack	1
Numerator - Packs per outer box	6
Material Nr. (12NC)	929001197004
Net Weight (Piece)	0.084 kg

A-Shape LED

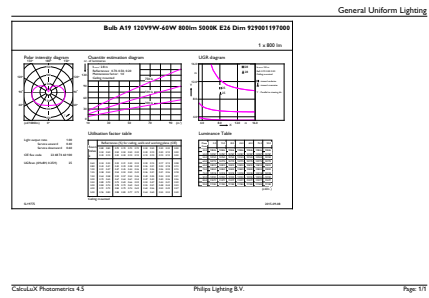
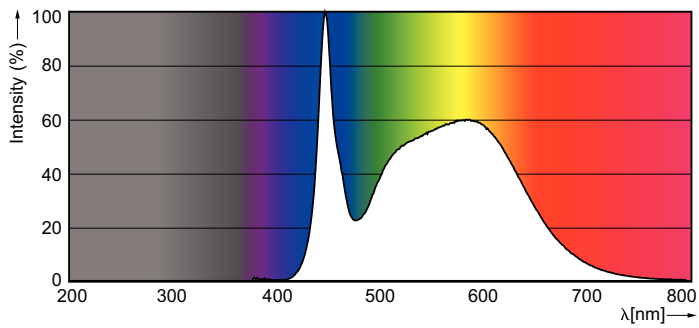
Dimensional drawing



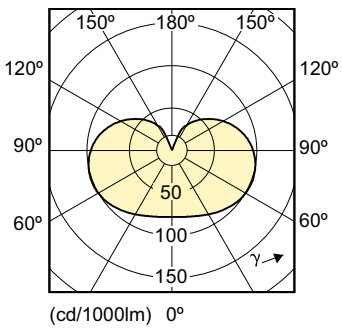
Bulb A19 9W-60W 800lm 300D 5000K E26 D

Product	D	C
9A19/AMB/850 DIM 120V	61.4 mm	109.8 mm

Photometric data



LEDlamps, A19 9W-60W 5000K 800lm



A-Shape LED

