



MASTER LEDtube InstantFit HF T8

MASTER LEDtube HF 600mm 10.5W830 T8

Philips MASTER LEDtube InstantFit T8 integrates a LED light source into a traditional fluorescent form factor. Its unique design creates a perfectly uniform visual appearance which cannot be distinguished from traditional fluorescent. Philips MASTER LEDtube InstantFit T8 is the ideal solution for customers who have higher light requirements and want to maximize value over lifetime.; Full energy savings & longer lifetime result in attractive payback times and TCO benefits.

Product data

General Information	
Cap-Base	G13 [Medium Bi-Pin Fluorescent]
Main Application	Industrial
Nominal Lifetime (Nom)	50000 h
Switching Cycle	50000X
B50L70	50000 h
Light Technical	
Color Code	830 [CCT of 3000K]
Beam Angle (Nom)	160 °
Luminous Flux (Nom)	1000 lm
Luminous Flux (Rated) (Nom)	1000 lm
Rated Beam Angle	160 °
Correlated Color Temperature (Nom)	3000 K
Color Consistency	<6
Color Rendering Index (Nom)	83
LLMF At End Of Nominal Lifetime (Nom)	70 %

Operating and Electrical	
Input Frequency	20000-80000 Hz
Power (Rated) (Nom)	10.5 W
Lamp Current (Max)	400 mA
Lamp Current (Min)	200 mA
Starting Time (Nom)	0.5 s
Warm Up Time to 60% Light (Nom)	0.5 s
Power Factor (Nom)	0.9
Voltage (Nom)	30-80 V
Temperature	
T-Storage (Max)	65 °C
T-Storage (Min)	-40 °C
T-Case Maximum (Nom)	40 °C
Controls and Dimming	
Dimmable	No

MASTER LEDtube InstantFit HF T8

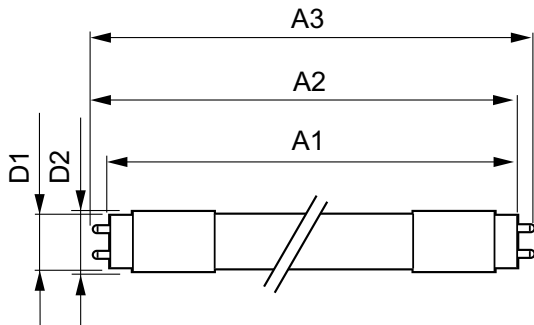
Mechanical and Housing	
Product Length	600 mm
Approval and Application	
Energy Efficiency Label (EEL)	A+
Energy Saving Product	Yes
Suitable For Accent Lighting	No
Energy Consumption kWh/1000 h	14 kWh
Product Data	
Full product code	871869655965900

Order product name	MASTER LEDtube HF 600mm 10.5W830 T8
EAN/UPC - Product	8718696559659
Order code	929001219502
Numerator - Quantity Per Pack	1
Numerator - Packs per outer box	10
Material Nr. (12NC)	929001219502
Net Weight (Piece)	0.160 kg

Warnings and Safety

- NOTES: The overall energy efficiency and light distribution of any installation that uses these lamps are determined by the design of the installation.

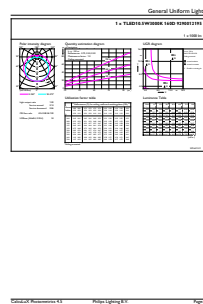
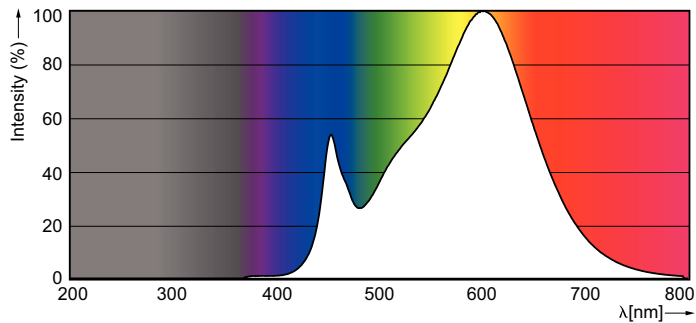
Dimensional drawing



TLED 230V 10.5W-36W 1000lm160D3000K T8ND

Product	D1	D2	A1	A2	A3
MASTER LEDtube HF 600mm 10.5W830 T8	25.6 mm	27.8 mm	588.6 mm	595.7 mm	602.8 mm

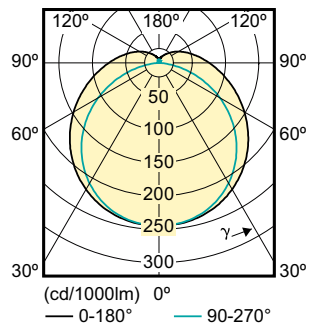
Photometric data



TLED 230V 10.5W-36W 1000lm /830 160D T8ND

MASTER LEDtube InstantFit HF T8

Photometric data



LEDtube VLE 600 mm 10 W T8 ROT

