



LED PAR38

13.5PAR38/AMB/F25/840/DIM ULW

Philips LED spots with a single optic beam, provide a clean beam that's free from shadows with beam angles from 15 and 40 degrees to suit every general lighting application.

Product data

General Information	
Cap-Base	E26 [Single Contact Medium Screw]
Nominal lifetime	25,000 hour(s)
Switching Cycle	50,000
Lighting Technology	LED
EU RoHS compliant	Yes

Light Technical	
Color Code	840 [CCT of 4000K]
Beam Angle (Nom)	25 degree(s)
Luminous Flux	950 lm
Luminous Intensity (Nom)	4,100 cd
Color Designation	Cool White (CW)
Correlated Color Temperature (Nom)	4000 K
Luminous Efficacy (rated) (Nom)	70.37 lm/W
Color Consistency	<6
Color rendering index (CRI)	80
LLMF At End Of Nominal Lifetime (Nom)	70 %

Operating and Electrical	
Line Frequency	50 to 60 Hz
Input Frequency	50 to 60 Hz
Power Consumption	13.5 W
Lamp Current (Nom)	119 mA

Wattage Equivalent	90 W
Starting Time (Nom)	0.5 s
Warm-up time to 60% light	0.5 s
Power Factor (Fraction)	0.9
Voltage (Nom)	120 V

Temperature	
T-Case Maximum (Nom)	65 °C

Controls and Dimming	
Dimmable	Yes

Mechanical and Housing	
Bulb Shape	PAR38 [PAR 4.75 inch/121mm]

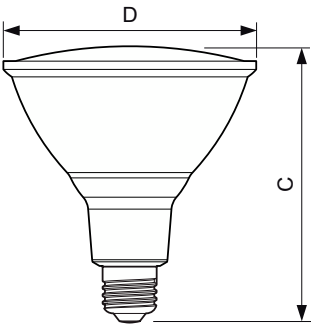
Approval and Application	
Suitable For Accent Lighting	Yes

Product Data	
Order product name	13.5PAR38/AMB/F25/840/DIM ULW
Full product name	13.5PAR38/AMB/F25/840/DIM ULW
Order code	929001292204
Material Nr. (12NC)	929001292204
Numerator - Quantity Per Pack	1

LED PAR38

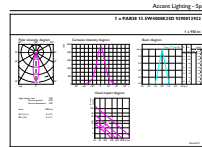
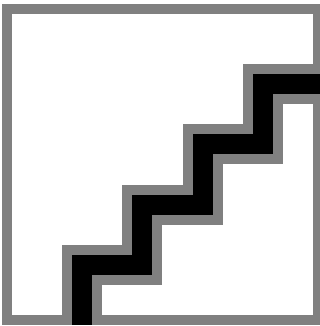
EAN/UPC - Product/Case	046677467777
Numerator - Packs per outer box	6
EAN/UPC - Case	50046677467772

Dimensional drawing



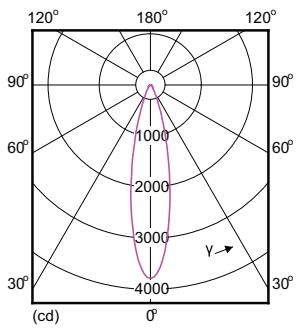
Product	D	C
13.5PAR38/AMB/F25/840/DIM ULW	125 mm	135 mm

Photometric data



Spectral Power Distribution Colour - 13.5PAR38/AMB/F25/840/DIM ULW

General uniform lighting - 13.5PAR38/AMB/F25/840/DIM ULW



Light Distribution Diagram - 13.5PAR38/AMB/F25/840/DIM ULW

LED PAR38

