



# MASTER VALUE LEDs pot LV

## MAS LED spot VLE D 7-50W MR16 830 60D

Philips MASTER VALUE MR16 is the series of Low Voltage (12VAC) Halogen MR16 replacements. Not only does it employ Philips' patented solution to guarantee the broadest possible compatibility with standard 12V Halogen electronic transformers. It also delivers beam intensity which is equivalent to the 50W Philips Halogen MR16 lamps. The form-factor of Philips MASTER Value LED MR16 guarantees a 100% form on the back-side of the lamp (exact form with Halogen lamps.)

### Warnings and Safety

- Operating temperature range is between -20° C and 45° C ambient
- Only to apply in dry or damp locations and most of open fixtures with lamp-holders that offer sufficient space (10 mm free air space)
- Not intended for use with emergency light fixtures or exit lights

### Product data

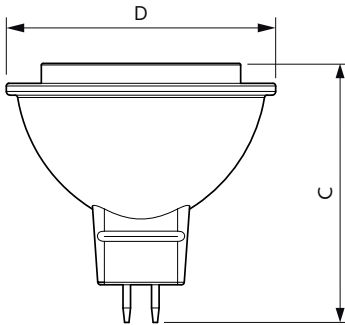
General Information		Correlated Color Temperature (Nom)	
Cap-Base	GU5.3 [GU5.3]	Correlated Color Temperature (Nom)	3000 K
Nominal lifetime	25,000 hour(s)	Luminous Efficacy (rated) (Nom)	90.00 lm/W
Switching Cycle	50,000	Color Consistency	<6
Lighting Technology	LED	Color rendering index (CRI)	80
EU RoHS compliant	Yes	LLMF At End Of Nominal Lifetime (Nom)	70 %
		Luminous Flux in 90° Cone (Rated)	630 lm
Light Technical		Operating and Electrical	
Color Code	830 [CCT of 3000K]	Power Consumption	7 W
Beam Angle (Nom)	60 degree(s)	Lamp Current (Nom)	760 mA
Luminous Flux	630 lm	Wattage Equivalent	50 W
Luminous Intensity (Nom)	800 cd	Starting Time (Nom)	0.5 s
Color Designation	White (WH)	Warm-up time to 60% light	0.5 s

# MASTER VALUE LEDspot LV

Power Factor (Fraction)	0.8
Voltage (Nom)	ac Electronic 12 V
<b>Temperature</b>	
T-Case Maximum (Nom)	105 °C
<b>Controls and Dimming</b>	
Dimmable	Yes
<b>Mechanical and Housing</b>	
Bulb Shape	MR16 [2inch/50mm]
<b>Approval and Application</b>	
Suitable For Accent Lighting	Yes

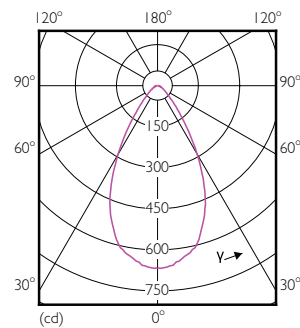
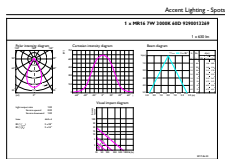
Energy Consumption kWh/1000 h	8 kWh
<b>Product Data</b>	
Order product name	MAS LED spot VLE D 7-50W MR16 830 60D
Full product name	MAS LED spot VLE D 7-50W MR16 830 60D
Full product code	871869670843900
Order code	929001326902
Material Nr. (12NC)	929001326902
Numerator - Quantity Per Pack	1
EAN/UPC - Product/Case	8718696708439
Numerator - Packs per outer box	10
EAN/UPC - Case	8718696708446

## Dimensional drawing



Product	D	C
MAS LED spot VLE D 7-50W MR16 830 60D	50.5 mm	49.5 mm

## Photometric data



Accent Lighting Spots - MAS LED spot VLE D 7-50W MR16 830 60D

Light Distribution Diagram - MAS LED spot VLE D 7-50W MR16 830 60D

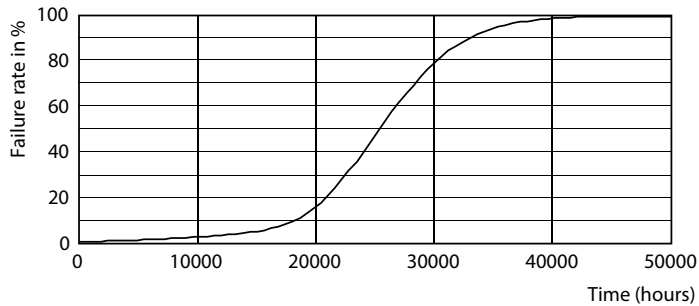
# MASTER VALUE LEDspot LV

## Photometric data



Spectral Power Distribution Colour - MAS LED spot VLE D 7-50W MR16 830 60D

## Lifetime



Life Expectancy Diagram - MAS LED spot VLE D 7-50W MR16 830 60D

Lumen Maintenance Diagram - MAS LED spot VLE D 7-50W MR16 830 60D

