



MASTER LEDspot ExpertColor LV

MASTER LED ExpertColor LED ExpertColor 6.5-35W MR16 930 60D

MASTER LEDspot LV ExpertColor creates a warm and comfortable ambience for hospitality venues, homes and restaurants. It creates such an ambience with superior lighting that has a customized spectrum, high CRI, and deep dimming feature. The result? A beautiful lighting experience. What's more, the innovative, trimless lens design will suit almost any interior decor with its clean and neat look. In addition, you can take advantage of the full ExpertColor family, which also includes LEDspot MV and LEDspot Par lamps.

Product data

| General Information | |
|------------------------------------|---------------------|
| Cap-Base | GU5.3 [GU5.3] |
| EU RoHS compliant | Yes |
| Nominal Lifetime (Nom) | 40000 h |
| Switching Cycle | 50000X |
| Technical Type | 6.5-35W |
| Light Technical | |
| Color Code | 930 [CCT of 3000K] |
| Beam Angle (Nom) | 60 ° |
| Luminous Flux (Nom) | 440 lm |
| Luminous Intensity (Nom) | 440 cd |
| Color Designation | White (WH) |
| Correlated Color Temperature (Nom) | 3000 K |
| Luminous Efficacy (rated) (Nom) | 67.69 lm/W |
| Color Consistency | <3 |

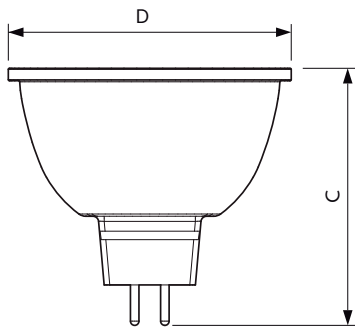
| Color Rendering Index (Nom) | 97 |
|---------------------------------------|--------------------|
| LLMF At End Of Nominal Lifetime (Nom) | 70 % |
| Luminous Flux in 90° Cone (Rated) | 440 lm |
| Operating and Electrical | |
| Input Frequency | - Hz |
| Power (Nom) | 6.5 W |
| Lamp Current (Nom) | 800 mA |
| Wattage Equivalent | 35 W |
| Starting Time (Nom) | 0.5 s |
| Warm Up Time to 60% Light (Nom) | 0.5 s |
| Power Factor (Nom) | 0.7 |
| Voltage (Nom) | ac electronic 12 V |

MASTER LEDspot ExpertColor LV

| Temperature | |
|-------------------------------|-----------------|
| T-Case Maximum (Nom) | 90 °C |
| Controls and Dimming | |
| Dimmable | Yes |
| Approval and Application | |
| Energy Efficiency Label (EEL) | A+ |
| Suitable For Accent Lighting | Yes |
| Energy Consumption kWh/1000 h | 8 kWh |
| Product Data | |
| Full product code | 871869675753600 |

| | |
|---------------------------------|--|
| Order product name | MASTER LED ExpertColor LED ExpertColor 6.5-35W MR16 930 60D |
| EAN/UPC - Product | 8718696757536 |
| Order code | 929001341502 |
| Numerator - Quantity Per Pack | 1 |
| Numerator - Packs per outer box | 10 |
| Material Nr. (12NC) | 929001341502 |
| Net Weight (Piece) | 0.034 kg |

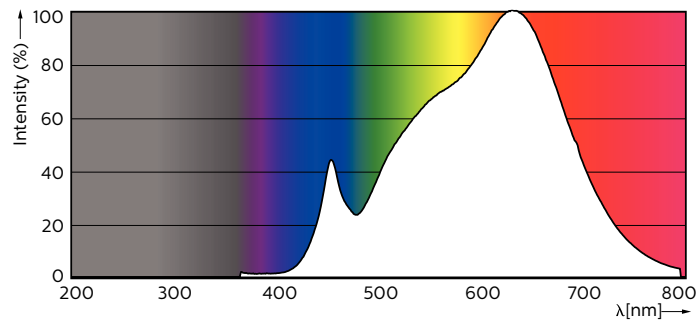
Dimensional drawing



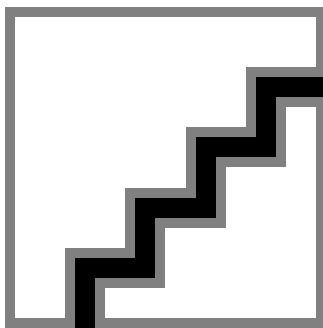
MAS LED MR16 ExpertColor 7.2-50W 930 60D

| Product | D | C |
|--|---------|-------|
| MASTER LED ExpertColor LED ExpertColor 6.5-35W MR16 930 60D | 50.5 mm | 46 mm |

Photometric data



Master LEDspot ExpertColor LV 50W EZ10 930 10D



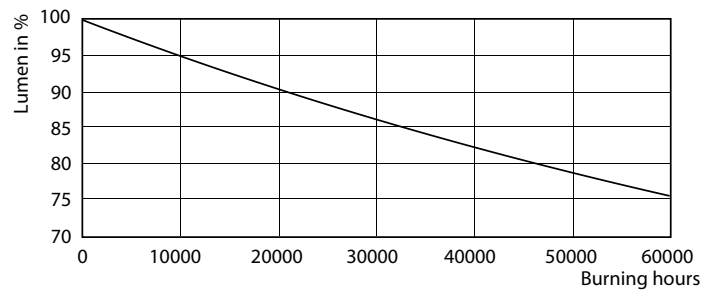
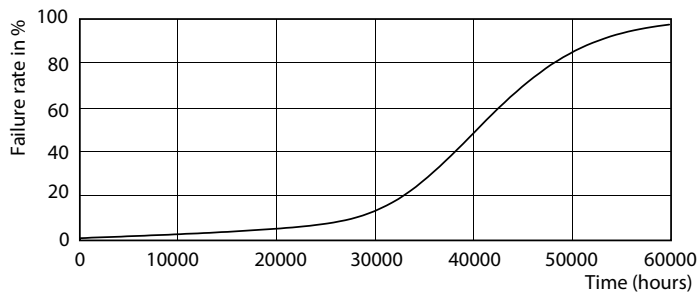
Master LEDspot ExpertColor LV 50W GU5.3 930 60D

MASTER LEDspot ExpertColor LV

Photometric data

Master LEDspot ExpertColor LV 50W GU5.3 930 60D

Lifetime



Master LEDspot ExpertColor LV 50W EZ10 927 10D

Master LEDspot ExpertColor LV 50W EZ10 927 10D

