



# CorePro LEDspot LV

## CorePro LED spot ND 5-35W MR16 827 36D

CorePro LEDspots are a perfect fit for spot lighting and deliver warm halogen-like light. They are compatible with most existing fixtures with MR16 GU5.3 holders and are designed as a retrofit replacement for halogen or incandescent spots. LEDlamps deliver huge energy savings and minimize maintenance cost.

### Product data

General Information		Power Consumption	
Cap base	GU5.3 [GU5.3]	Power Consumption	5 W
Nominal lifetime	15,000 h	Lamp current (nom.)	575 mA
Switching Cycle	50,000	Wattage equivalent	35 W
Lighting Technology	LED	Starting time (nom.)	0.5 s
EU RoHS compliant	Yes	Warm-up time to 60% light	0.5 s
		Power Factor (Fraction)	0.6
		Voltage (nom.)	12 V
Light Technical		Temperature	
Colour Code	827 [CCT of 2700K]	T-Case maximum (nom.)	82 °C
Beam angle (nom.)	36 degree(s)		
Luminous Flux	345 lm	Controls and Dimming	
Luminous intensity (nom.)	650 cd	Dimmable	No
Colour designation	Warm White (WW)		
Correlated Colour Temperature	2700 K	Mechanical and Housing	
Luminous efficacy (rated) (nom.)	69.00 lm/W	Bulb shape	MR16 [2 inch/50 mm]
Colour consistency	<6		
Colour rendering index (CRI)	80	Approval and Application	
LLMF at end of nominal lifetime (nom.)	70 %	Suitable for accent lighting	Yes
Luminous flux in 90° cone (rated)	345 lm	Energy consumption kWh/1,000 hours	6 kWh
Operating and Electrical		EyeComfort	Yes
Line Frequency	- Hz		
Input frequency	- Hz		

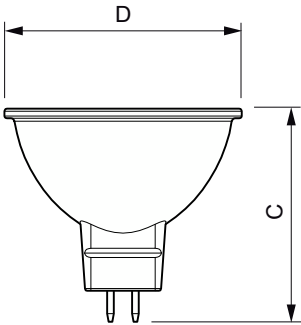
# CorePro LEDspot LV

## Product Data

Order product name	CorePro LED spot ND 5-35W MR16 827 36D
Full product name	CorePro LED spot ND 5-35W MR16 827 36D
Full EOC	871869671063000
Order code	71063000
Material no. (12 NC)	929001344302

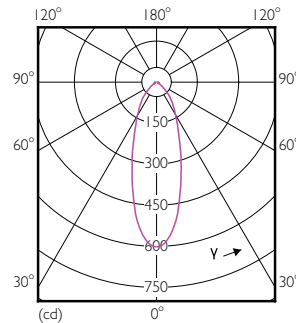
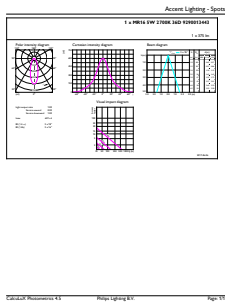
SAP numerator – quantity per pack	1
EAN/UPC – Product/Case	8718696710630
Numerator – packs per outer box	10
EAN/UPC – Case	8718696710647

## Dimensional drawing



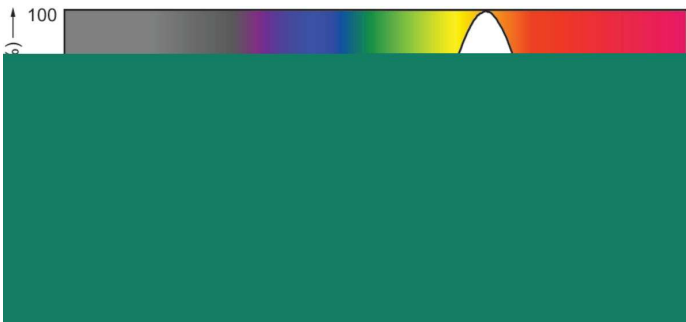
Product	D	C
CorePro LED spot ND 5-35W MR16 827 36D	51 mm	46 mm

## Photometric data



Accent Lighting Spots - CorePro LED spot ND 5-35W MR16 827 36D

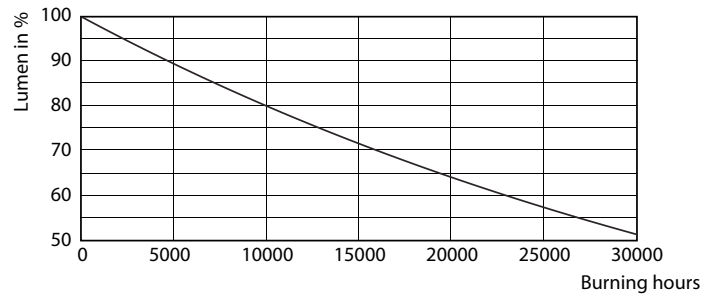
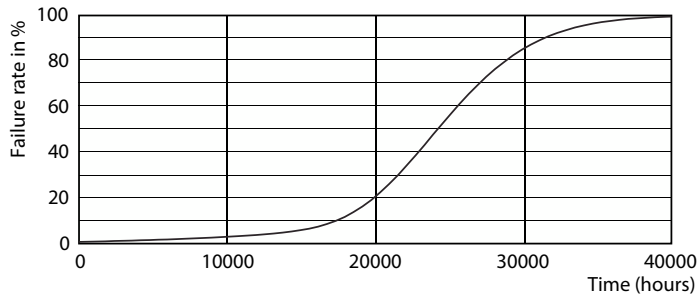
Light Distribution Diagram - CorePro LED spot ND 5-35W MR16 827 36D



Spectral Power Distribution Colour - CorePro LED spot ND 5-35W MR16 827 36D

# CorePro LEDspot LV

## Lifetime



Life Expectancy Diagram - CorePro LED spot ND 5-35W MR16 827 36D

Lumen Maintenance Diagram - CorePro LED spot ND 5-35W MR16 827 36D

