

Project: \_\_\_\_\_

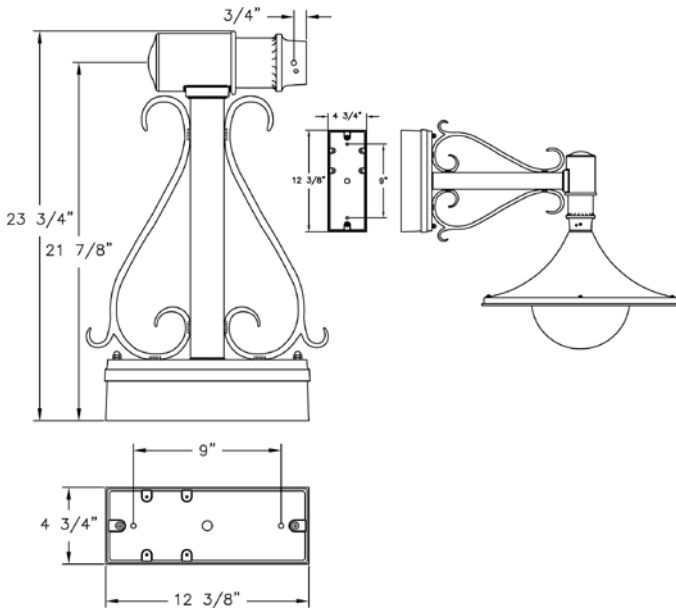
Location: \_\_\_\_\_

Cat.No: \_\_\_\_\_

Type: \_\_\_\_\_

Lamps: \_\_\_\_\_ Qty: \_\_\_\_\_

Notes: \_\_\_\_\_



### Ordering Guide

Example: 236S ABS 50H E

Product Code	236S	Bracket Arm	
<b>Finish</b>	ABS	Antique Brass	
	ACP	Antique Copper	
	ARD	Antique Red	
	ASI	Antique Silver	
	BLK	Black	
	BRN	Brown	
	BRZ	Bronze	
	FGN	Forest Green	
	GRA	Granite	
	IRN	Ironstone	
	RBZ	Rustic Bronze	
	SRT	Shadow Rust	
	VBZ	Verde Bronze	
	VCP	Verde Copper	
	VGN	Verde	
	VTC	Vintage Copper	
	WBZ	Weathered Bronze	
	WHT	White	
<b>Wattage/Source</b>	50H	50W MH	*1
	70H	70W MH	
	35S	35W HPS	*2
	50S	50W HPS	
	70S	70W HPS	
	100S	100W HPS	
	100I	100W INC.	*2
<b>Voltage</b>	E	120V	
	F	208V	
	G	240V	
	H	277V	

\*1 (E) 120V & (H) 277V options only  
 \*2 (E) 120V option only

### Specifications

#### CONSTRUCTION:

Cast aluminum cap welded to end cap. Cast aluminum end cup. Cast aluminum 3" O.D. to 2" I.D. adapter welded to end cup. 1 1/2" W x 2" H aluminum tubing welded to end cup and mounting plate. Two cast aluminum decorative scrolls welded to extruded arm and mounting plate. Cast aluminum mounting plate secures to cast aluminum ballast housing.

#### FINISH:

Resilient TGIC thermoset polyester powdercoat paint is electrostatically applied to every fixture. Specially formulated for Philips Outdoor Lighting, it provides UV protection, and the highest temperature rating in the industry. In addition to the standard color choices shown, a spectrum of custom colors is available.

#### BALLAST:

Ballast housing mounted securely inside housing. (Customer must specify wattage and voltage.)

#### MOUNTING:

Mounting Hardware is supplied. See template for dimensions & mounting instructions.

# 236S Bracket arm

## Arm bracket

### Specifications

---

**WARRANTY:**

Three-year limited warranty.

**Height:**

14 3/4"

**Width:**

4 3/4"

**Projection:**

23 3/4"

**Top to Outlet:**

7 3/8"

**Max. Weight:**