



Specification Sheet

LLC7280 CityTouch OLC NEMA SR

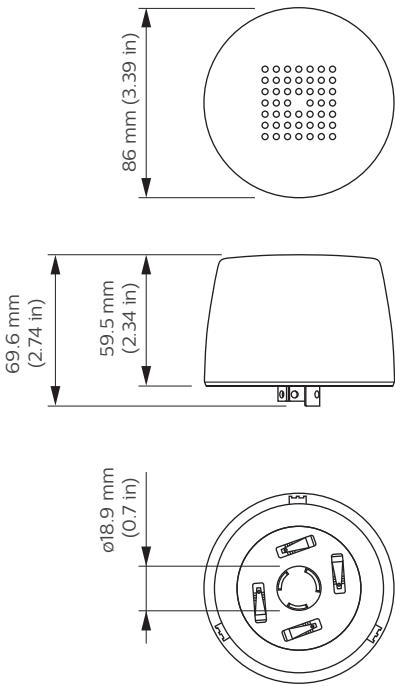
The LLC7280 Citytouch Nema SR Outdoor Luminaire Controller (OLC) is solely meant for SR certified luminaires with 7-pin Nema socket on top.

The LLC7280 is not mains powered but DC powered by SR driver, and is bridging the line to line-switched to ensure mains power to the SR driver.

Installation is easy, with a click the LLC7280 is installed and your luminaire will become available in CityTouch shortly thereafter. Remote light management with CityTouch connect app can start.

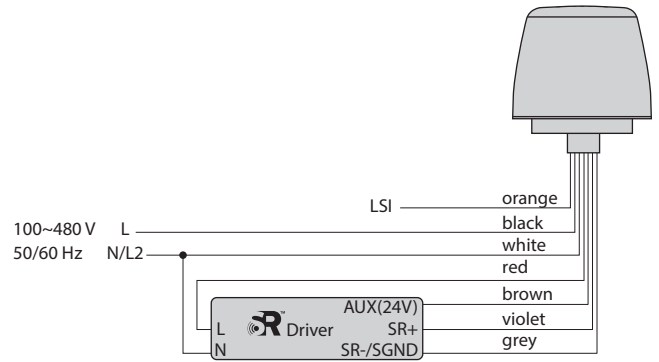
LLC7280

Dimensional drawings

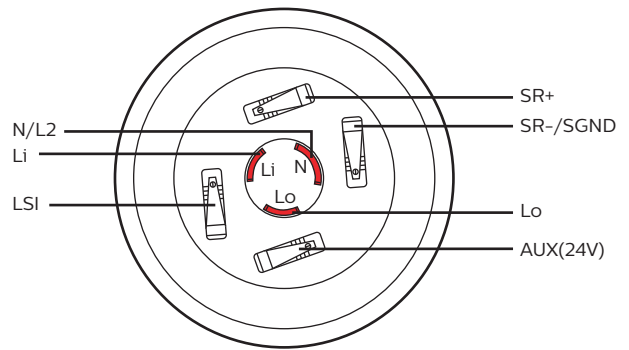


LLC7280

Wiring diagram

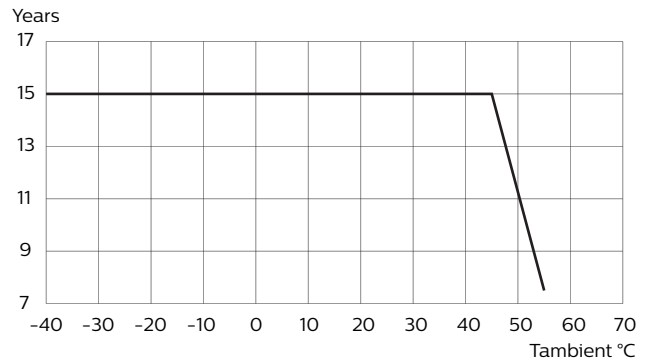


Communication box connected in series with mains Line and a SR driver.



■ Reinforced insulation to housing and control springs.

Lifetime versus Tambient of CommBox



Failure Rate info based upon Telcordia SR-332 issue 3 modeling.
90% survivals at end of life with Tambient 45° C.

Specifications

Product Dimensions

Height	68.6 mm
Width	86 mm
Net weight per piece	0.2 kg

Supply

Supply voltage	15 Vdc/24 Vdc
Power consumption	≤ 0.5 W
Mains voltage	100~480 VAC +10 % -15 %
Mains frequency	50/60 Hz +5 %

Interface

SR (Sensor Ready)	According to Philips SR Interface Specification.
LSI (Logic Signal Input to support a motion sensor)	40 Vdc...+40 Vdc, High: LSI > 7 V, Low: LSI < 3 V

Connectivity

GSM/GPRS/UMTS	850/900/1800/1900/2100 MHz
---------------	----------------------------

Auto Location

Positioning System	Build in GPS, CEP50 ≤ 2.5 m
--------------------	-----------------------------

Photo-control

Turn-on/off	Remote configurable lux levels
-------------	--------------------------------

Temperature Characteristics

Operating Temperature	-40°C...+70°C
Storage Temperature	-40°C...+80°C

Housing

Glow wire test	EN60598-1 Annex ZC 750° C
Ingress Protection	up to IP66, IP class of luminaire unchanged
Color	RAL7035
Mechanical impact protection	IK08
Plug	Compatible with ANSI C136.10 and ANSI C136.41

Compliance

Marking	FCC, IC, cULus, ENEC, CE, SR
Radio & Telecommunication Terminal Equipment Directive, 1999/5/EC	EN 60950-1:2006+A11:2009+A12:2011+A1:2010+AC:2011+A2:2013 EN 61347-2-11:2001 EN 61347-1:2015 EN 62311:2008 ETSI EN 301 489-1 V1.9.2 ETSI EN 301 489-3 V1.6.1 ETSI EN 301 489-7 V1.3.1 EN 55015:2013 EN 61457:2009 EN 61000-3-2:2014 EN 61000-3-3:2013 ETSI EN 300 440-1 V1.6.1 ETSI EN 300 440-2 V1.4.1 ETSI EN 301 511 V9.0.2
Restriction of the use of Hazardous Substances in electrical and electronic equipment	RoHS Directive 2011/65/EU Upcoming Directive (EU) 2015/863
FCC	FCC47 Part 15B Class A FCC47 CFR 22H, FCC47 CFR 24E FCC47 Part 1.1310 / IEEE C95.1
IC	RSS-133 RSS-132



Ordering Data

Type	Order code
LLC7280 CityTouch OLC NEMA SR	9137 003 93303

© 2019 Signify Holding. All rights reserved. Specifications are subject to change without notice. No representation or warranty as to the accuracy or completeness of the information included herein is given and any liability for any action in reliance thereon is disclaimed. Philips and the Philips Shield Emblem are registered trademarks of Koninklijke Philips N.V. All other trademarks are owned by Signify Holding or their respective owners.



www.philips.com/lighting