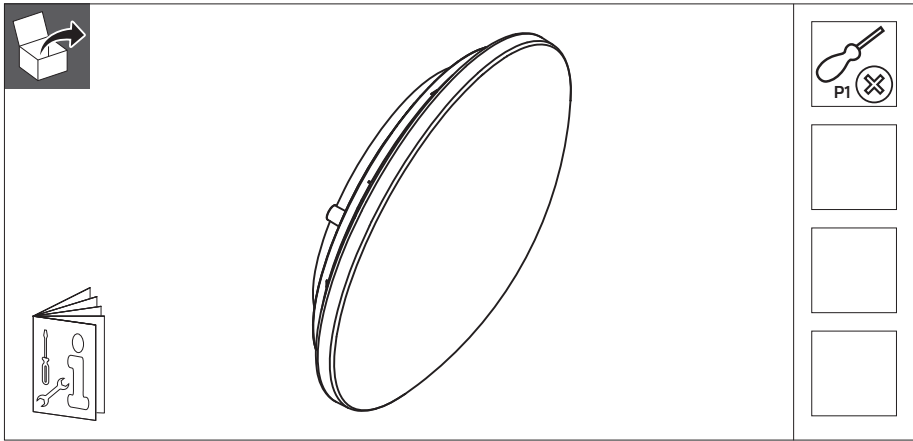


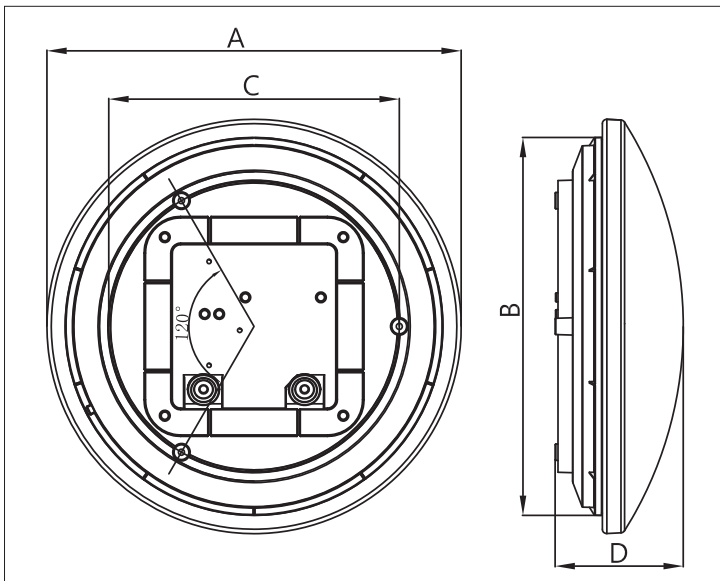
PHILIPS

Ledinaire
Wall-mounted

WL060V



	System lumen (lm)	P (W)	A (mm)	B (mm)	C (mm)	D (mm)	
WL060V LED11S	1100	12	285	260	200	88	0.41
WL060V LED17S	1700	18.5	345	320	240	97	0.58
WL060V LED17S MDU	1700	19.5					0.63

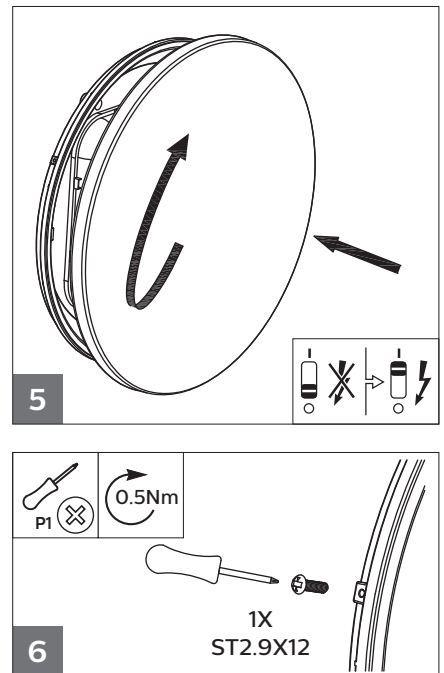
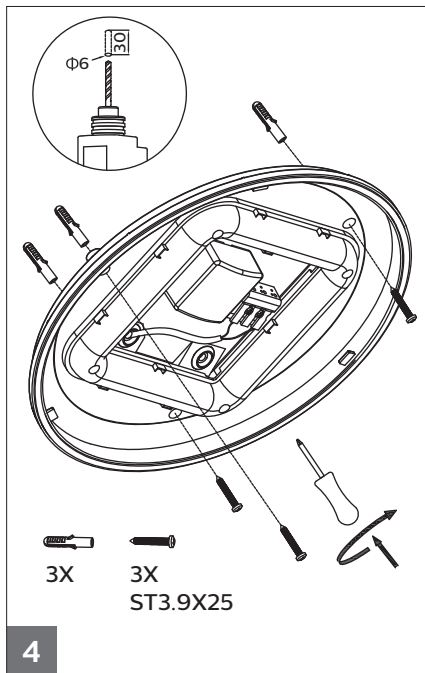
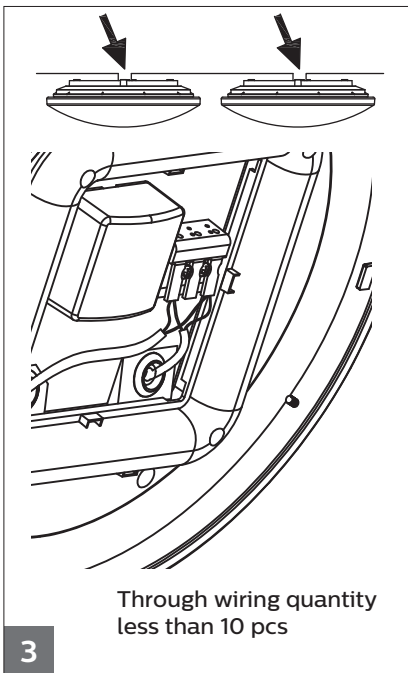
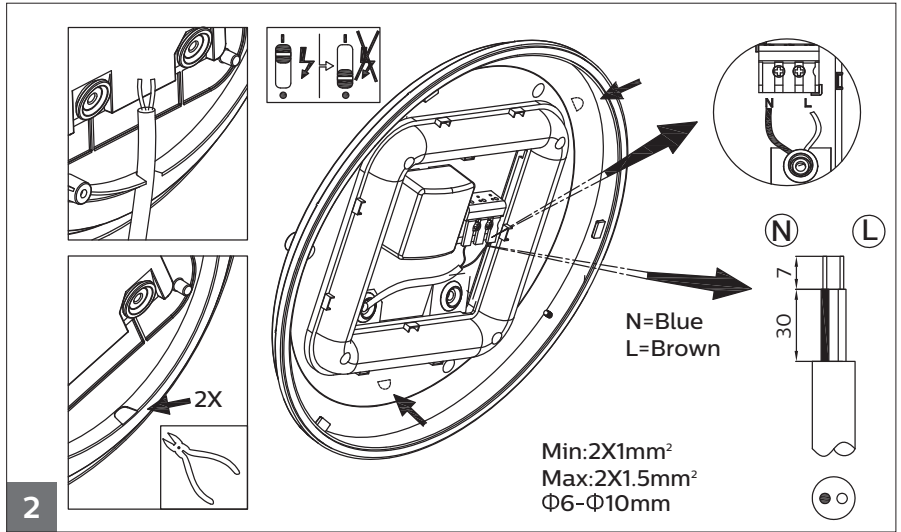
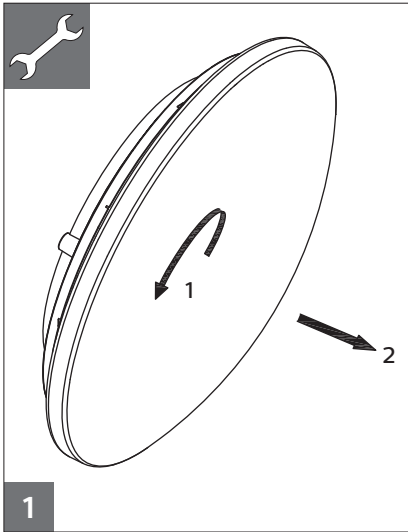


- The luminaire shall be installed by a qualified electrician and wired in accordance with the latest IEE electrical regulations or the national requirements.
- The light source contained in this luminaire shall only be replaced by the manufacturer or his service agent or a similar qualified person.

ATTENTION
OBSERVE PRECAUTIONS
FOR HANDLING
ELECTROSTATIC
SENSITIVE
DEVICES

Inrush current

	MRS 12W	MRS 18.5W
Electrical characteristics		
I _{max} (A)	3.24	3.28
T _{ref} (μs)	43	44
MCB Luminaires Max.		
B-10 A	33	33
B-13 A	43	43
B-16 A	53	53
C-10 A	55	55
C-13 A	72	71
C-16 A	89	88



Microwave Motion Sensor (For WL060V LED17S MDU only).

By selecting the combination on the DIP switch, sensor data can be precisely set for each specific application.

		Detection Area		
		1	2	
ON ●	I	●	●	100%
	II	●	○	75%
	III	○	●	50%
OFF ○	IV	○	○	10%

Detection area
Detection area can be reduced by selecting the combination on the DIP switches to fit precisely each application.

		Hold Time		
		3	4	
I	●	●	○	5s
II	●	○	○	90s
III	○	●	○	5min
IV	○	○	○	15min

Hold time
Refers to the time period the lamp remains at 100% illumination after no motion detected.

		Daylight Sensor		
		3	4	
I	●	●	○	Disable
II	○	○	○	50Lux
—	—	—	—	
—	—	—	—	

Daylight sensor
The sensor can be set to only allow the lamp to illuminate below a defined ambient brightness threshold.

When set to Disable mode, the daylight sensor will switch on the lamp when motion is detected regardless of ambient light level.

