

READ AND UNDERSTAND THESE INSTRUCTIONS BEFORE INSTALLING FIXTURE

This fixture is intended for installation in accordance with the National Electrical Code and local regulations. To assure full compliance with local codes and regulations, check with your local electrical inspector before installation. To prevent electrical shock, turn off electricity at fuse box before proceeding.

Retain these instructions for maintenance reference.

INSTRUCTION SHEET NO.

IS:9187

A0497

Page 1 of 1

STEM WIRE COVER FOR USE WITH 9100 SERIES, RADIUS® TRACK SYSTEMS ONLY

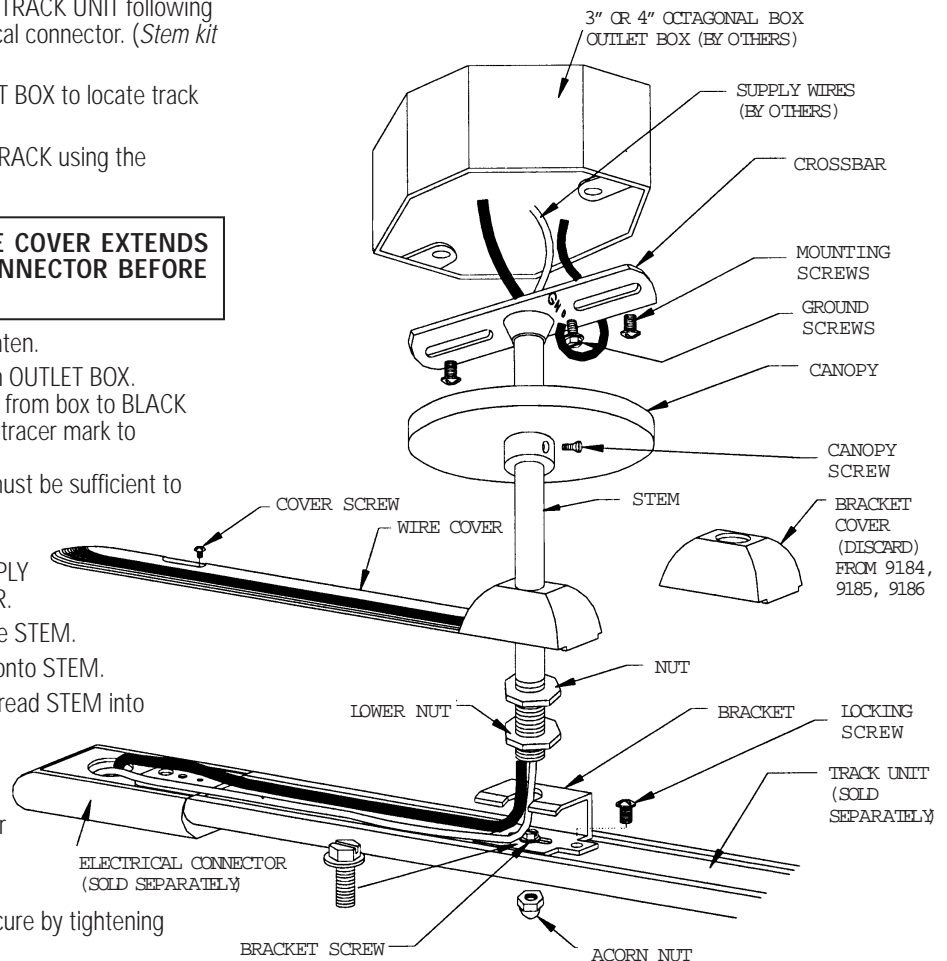
WARNING

- DO NOT WALL MOUNT STEM.
- DO NOT CUT THE STEM TUBE.
- DO NOT MOUNT STEM TO ELECTRICAL CONNECTORS OR ANY TRACK JOINTS.
- USE WIRE COVER TO FEED POWER INTO CONNECTORS: 9184WH, BK; 9147WH, BK; 9155WH, BK; 9150WH, BK; OR 9151WH, BK.
- USE WIRE COVER WITH STEM KITS 9184WH, BK; 9185WH, BK; OR 9186WH, BK.
- USE WIRE COVER WITH A 3" OR 4" OCTAGON OUTLET BOX.
- USE SOLID 12GA. COPPER WIRE WITH STEM WIRE COVER.

1. Install ELECTRICAL CONNECTOR into the TRACK UNIT following the instructions included with the electrical connector. (*Stem kit sold separately*).
2. Mark centerline through center of OUTLET BOX to locate track and stem center location.
3. Attach BRACKET to existing hole in the TRACK using the BRACKET SCREW and ACORN NUT.

CAUTION: ENSURE THAT THE WIRE COVER EXTENDS TO THE END OF THE ELECTRICAL CONNECTOR BEFORE TIGHTENING THE BRACKET

4. Tighten LOCKING SCREW. Don't over tighten.
5. Splice SUPPLY WIRES to existing wires in OUTLET BOX. BLACK WIRE or wire without tracer mark from box to BLACK SUPPLY LEAD. WHITE WIRE or wire with tracer mark to WHITE SUPPLY WIRE.
NOTE: The length of the SUPPLY WIRE must be sufficient to wire the ELECTRICAL CONNECTOR.
6. Mount CROSSBAR to OUTLET BOX using MOUNTING SCREWS while passing SUPPLY WIRES through center hole of CROSSBAR.
7. Thread the two NUTS onto one end of the STEM.
8. Slide WIRE COVER and CANOPY COVER onto STEM.
9. Pass SUPPLY WIRE through STEM and thread STEM into CROSSBAR.
10. Attach SUPPLY GROUND WIRE to GROUND SCREW on CROSSBAR.
11. Hang TRACK by sliding the BRACKET over the LOWER NUT.
12. Tighten the NUT against the BRACKET.
13. Slide CANOPY against the ceiling and secure by tightening the CANOPY SCREW.
14. Push WIRE COVER onto BRACKET and secure to ELECTRICAL CONNECTOR using COVER SCREW.
15. Follow instructions included with the ELECTRICAL CONNECTOR when wiring the ELECTRICAL CONNECTOR.



LIGHTOLIER®

FALL RIVER, MASSACHUSETTS 02720
MONTREAL, QUEBEC, CANADA