

Read and understand these instructions before installing luminaire.

This luminaire is intended for installation in accordance with the National Electrical Code and local regulations. To assure full compliance with local codes and regulations, check with your local electrical inspector before installation. To prevent electrical shock, turn off electricity at fuse box before proceeding.

Retain these instructions for maintenance reference.

INSTRUCTIONS FOR CONNECTING LYTEJACKS®/FocalJacks TO 8600 SYSTEM POWER JACKS

1. **TURN POWER OFF.** Firmly insert STEM into POWER JACK (See Fig. 1) until it clicks. Verify engagement by **LIGHTLY PULLING DOWNWARD.** The STEM should not release from the POWER JACK.
2. To remove the fixture, grasp the STEM, **TWIST** and **FIRMLY pull DOWNWARD** until stem is disengaged from POWER JACK.

NOTE: USE THIS FOCALJACK WITH ANY 8600 SERIES POWER JACKS. FIXTURES ARE DESIGNED FOR 360° HORIZONTAL ROTATION AND 0° TO 90° VERTICAL ADJUSTMENT (See Fig. 2).

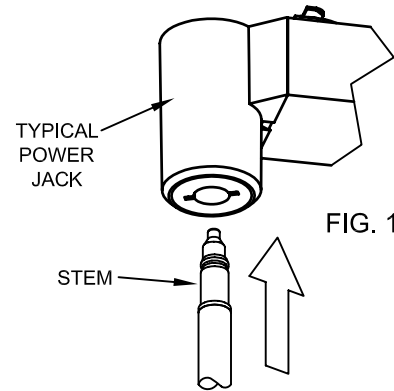


FIG. 1

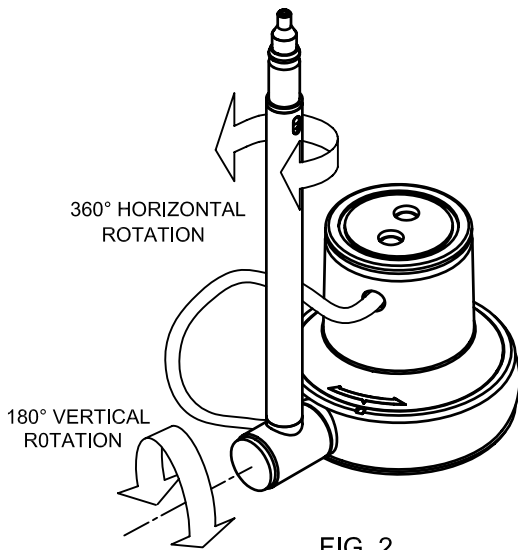


FIG. 2

3. ACCESSORIES ARE OPTIONAL. REFER TO THE ACCESSORY HOLDER'S INSTRUCTION SHEET FOR PROPER INSTALLATION & APPLICATION. (1) ACCESSORY MAX. OR A COMBINATION OF (1) ACCESSORY & (1) SNOOT IS ACCEPTABLE. (See Fig. 3)

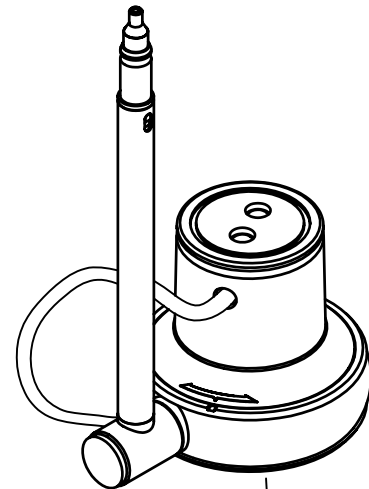
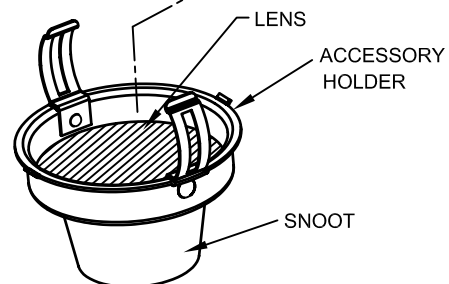


FIG. 3



Read and understand these instructions before installing luminaire.

This luminaire is intended for installation in accordance with the National Electrical Code and local regulations. To assure full compliance with local codes and regulations, check with your local electrical inspector before installation. To prevent electrical shock, turn off electricity at fuse box before proceeding.

Retain these instructions for maintenance reference.

INSTRUCTIONS FOR LAMPING.

1. CHECK TO SEE THAT POWER IS OFF WHEN LAMPING OR RELAMPING. MAKE CERTAIN THAT THE FIXTURE IS COOL.
2. Remove HOUSING by turning it counter-clockwise until it stops, and then pull the HOUSING away from the RING (See Fig. 4).
3. Remove the lamp by pulling it straight out of the HOUSING, thereby removing the lamp pins from the lampholder.
4. To replace the lamp, insert the LAMP PINS into the SOCKET HOLES (See Fig. 5).
5. After the lamp is installed, replace the HOUSING by aligning the arrow on the HOUSING with the notch on the RING, push the HOUSING into the RING, and turn the HOUSING clockwise until the HOUSING stops (See Fig. 6).
6. To aim fixture, hold by the INSULATOR RING and rotate the fixture as shown (See Fig. 6).

NOTE: USE ONLY 12V MR-16 BI-PIN LAMP, 50 WATTS MAX., OR MR-16 IR LAMP 37W MAX.

CAUTION: USE ONLY LAMP WATTAGE AND TYPE AS MARKED ON LUMINAIRE.

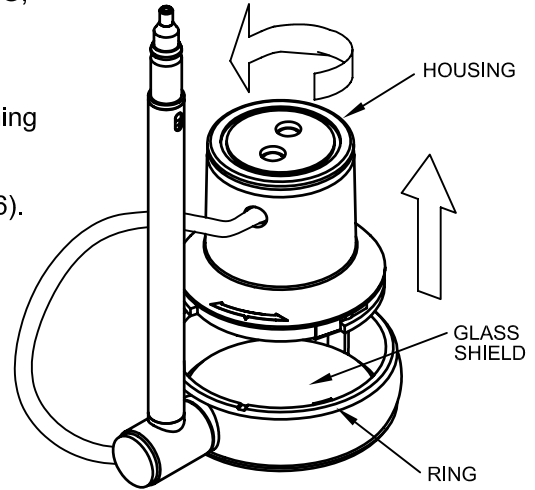


FIG. 4

CAUTION: A GLASS SHIELD MUST BE IN FRONT OF LAMP. DO NOT REMOVE. REPLACE IF MISSING OR DAMAGED.

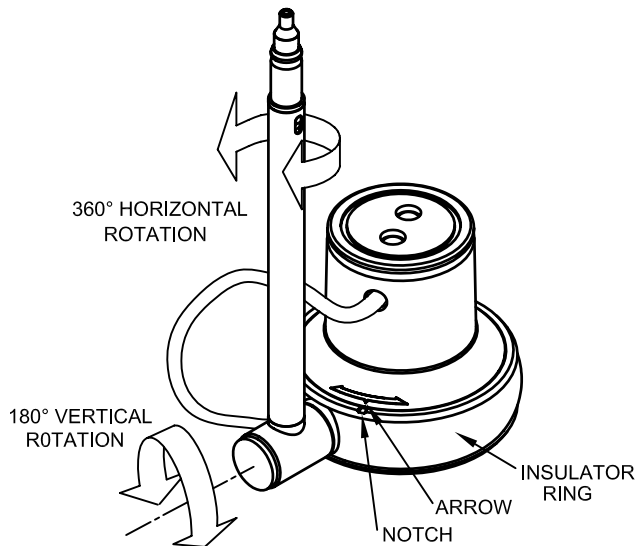


FIG. 6

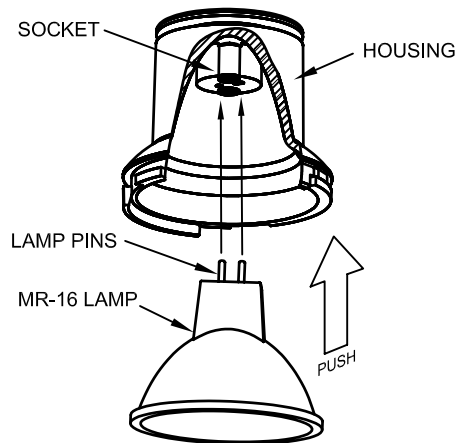


FIG. 5

LIGHTOLLIER®