

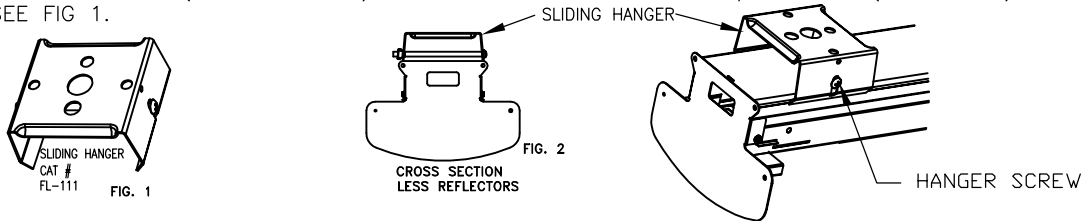
INSTALLATION INSTRUCTIONS

CAUTION: THE INSTALLATION AND SERVICING OF THIS PRODUCT SHOULD BE PERFORMED BY A QUALIFIED ELECTRICIAN OR SERVICE PERSONNEL
ATTENTION : L'INSTALLATION ET L'ENTRETIEN DE CE PRODUIT DOIVENT ÊTRE EFFECTUÉS PAR UN ÉLECTRICIEN OU UN MEMBRE DU PERSONNEL QUALIFIÉ.

WARNING:

STEP 1: BEGINNING THE ROW (IF CONTINUOUS ROW MOUNTING)

ATTACH HANGER (2 PER FIXTURE) TO STRUCTURAL MEMBER WITH 1/4" BOLTS (BY OTHERS). SEE FIG. 1.



STEP 2: HANG FIRST FIXTURE BY SLIDING FIXTURE TO DESIRED LOCATION AND TIGHTEN HANGER SCREW TO SECURE HANGER TO FIXTURE.

STEP 3: FEED INCOMING POWER SUPPLY LEADS INTO FIXTURE THROUGH DESIRED KNOCKOUT.

STEP 4: ATTACH INCOMING POWER SUPPLY LEADS TO PROPER LEADS OF BALLAST.

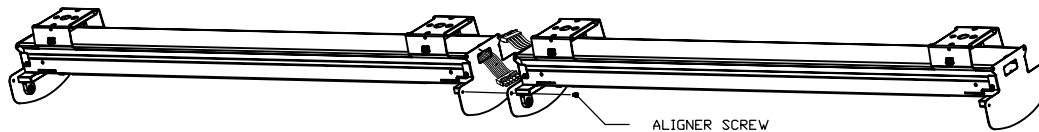
NOTE: IF FIXTURE IS SUPPLIED WITH POWER CONNECT OPTION, CONNECTOR AT BEGINNING OF ROW SHOULD BE CUT OFF, STRIPPED AND HARD WIRED TO INCOMING POWER SUPPLY WIRES.

CONTINUING THE ROW

STEP 1: HANG NEXT FIXTURE AS NOTED IN "BEGINNING THE ROW".

STEP 2: ALIGN WITH PREVIOUS FIXTURE BY DRIVING SCREWS INTO ENDS OF FIXTURE AS SHOWN IN FIG. 2.

STEP 3: ATTACH FIXTURES USING SCREWS PROVIDED.

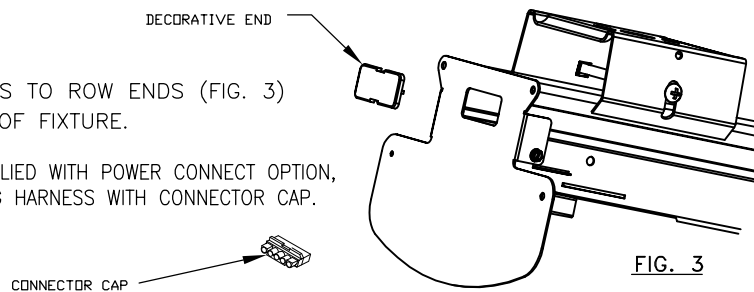


NOTE: IF FIXTURE IS SUPPLIED WITH POWER CONNECT OPTION, CONNECT PLUGS AT END OF FIXTURE BEFORE SECURING FIXTURES TOGETHER.

COMPLETING THE ROW

ATTACH DECORATIVE ENDS TO ROW ENDS (FIG. 3) BY SNAPPING INTO END OF FIXTURE.

NOTE: IF FIXTURE IS SUPPLIED WITH POWER CONNECT OPTION, CAP END OF WIRING HARNESS WITH CONNECTOR CAP.



CAUTION: Electrical luminaires are designed for permanent installation in ordinary (Non-Hazardous) locations in accordance with the National Electrical Code and all applicable local codes. Do not use in areas of limited ventilation or in high ambient enclosures. The lamp and luminaire operate at high temperatures, contact with combustible materials can cause fire and personal contact can cause severe burns.

ATTENTION: Ce luminaire a été conçu pour une installation permanente dans un emplacement régulier (non dangereux) et en conformité avec le Code électrique canadien et codes locaux applicables. Ne jamais installer dans un endroit où la ventilation est limitée ou dans des boîtiers où la température ambiante est très élevée. La lampe et le luminaire fonctionnent à des températures élevées, un contact avec des matériaux combustibles peut engendrer un incendie et un contact corporel peut causer de sévères brûlures.

PHILIPS

Philips Lighting North
America Corporation
200 Franklin Square Drive
Somerset, NJ 08873, USA
Phone: 855-486-2216
philips.com/luminaires

Philips Lighting Canada Ltd.
281 Hillmount Road
Markham ON, Canada L6C 2S3
Phone: 800-668-9008
philips.com/luminaires

12NC:443580019160

INSTALLATION INSTRUCTIONS HIGH PERFORMANCE INDUSTRIAL FIXTURE

CAUTION: THE INSTALLATION AND SERVICING OF THIS PRODUCT SHOULD BE PERFORMED BY A QUALIFIED ELECTRICIAN OR SERVICE PERSONNEL
ATTENTION : L'INSTALLATION ET L'ENTRETIEN DE CE PRODUIT DOIVENT ÊTRE EFFECTUÉS PAR UN ÉLECTRICIEN OU UN MEMBRE DU PERSONNEL QUALIFIÉ.

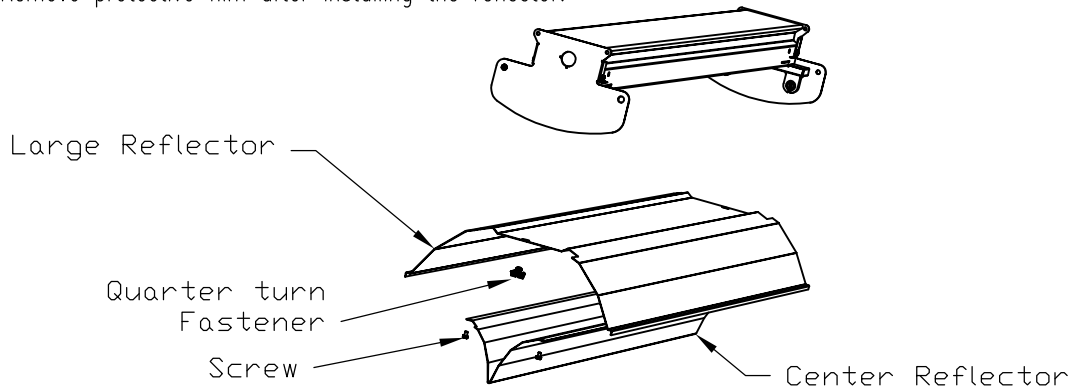
NOTE: This fixture is shipped without the reflectors installed and should not be installed with the reflectors in place. (Damage to the reflector will affect the precise optical system).

Reflectors should be installed just prior to store opening, to avoid construction dirt and dust from getting on the reflector.

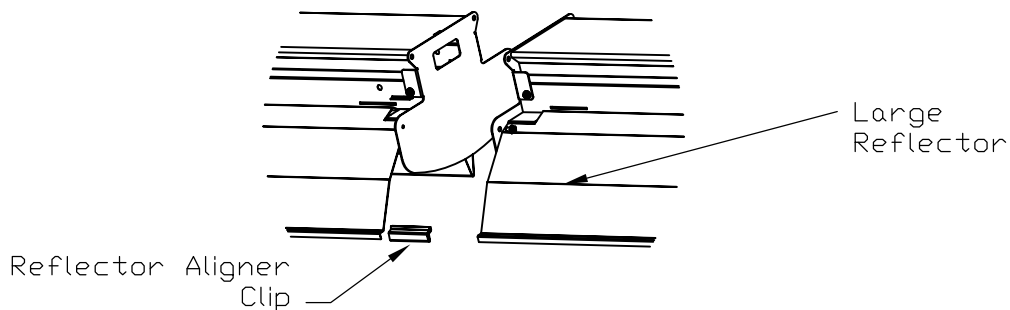
Install reflectors as follows:

Large reflector is attached to channel with quarter turn fastener as shown
Remove protective film after installing the reflector.

Center reflector is installed to channel with 4 #8x1/4 screws.(Supplied in bag pack)
Remove protective film after installing the reflector.



Install reflector aligner clips (supplied in bag pack) to reflector as shown below at each large reflector joint.



CAUTION: Electrical luminaires are designed for permanent installation in ordinary (Non-Hazardous) locations in accordance with the National Electrical Code and all applicable local codes. Do not use in areas of limited ventilation or in high ambient enclosures. The lamp and luminaire operate at high temperatures, contact with combustible materials can cause fire and personal contact can cause severe burns.

ATTENTION: Ce luminaire a été conçu pour une installation permanente dans un emplacement régulier (non dangereux) et en conformité avec le Code électrique canadien et codes locaux applicables. Ne jamais installer dans un endroit où la ventilation est limitée ou dans des boîtiers où la température ambiante est très élevée. La lampe et le luminaire fonctionnent à des températures élevées, un contact avec des matériaux combustibles peut engendrer un incendie et un contact corporel peut causer de sévères brûlures.

PHILIPS

Philips Lighting North
America Corporation
200 Franklin Square Drive
Somerset, NJ 08873, USA
Phone: 855-486-2216
philips.com/luminaires

Philips Lighting Canada Ltd.
281 Hillmount Road
Markham ON, Canada L6C 2S3
Phone: 800-668-9008
philips.com/luminaires

728602101 APRIL, 2013
12NC:443580019160