

READ AND UNDERSTAND THESE INSTRUCTIONS BEFORE INSTALLING FIXTURE

This fixture is intended for installation in accordance with the National Electrical Code and local regulations. To assure full compliance with local codes and regulations, check with your local electrical inspector before installation. To prevent electrical shock, turn off electricity at fuse box before proceeding.

Retain these instructions for maintenance reference.

INSTRUCTION SHEET NO.

IS:9149

0395

Page 1 of 1

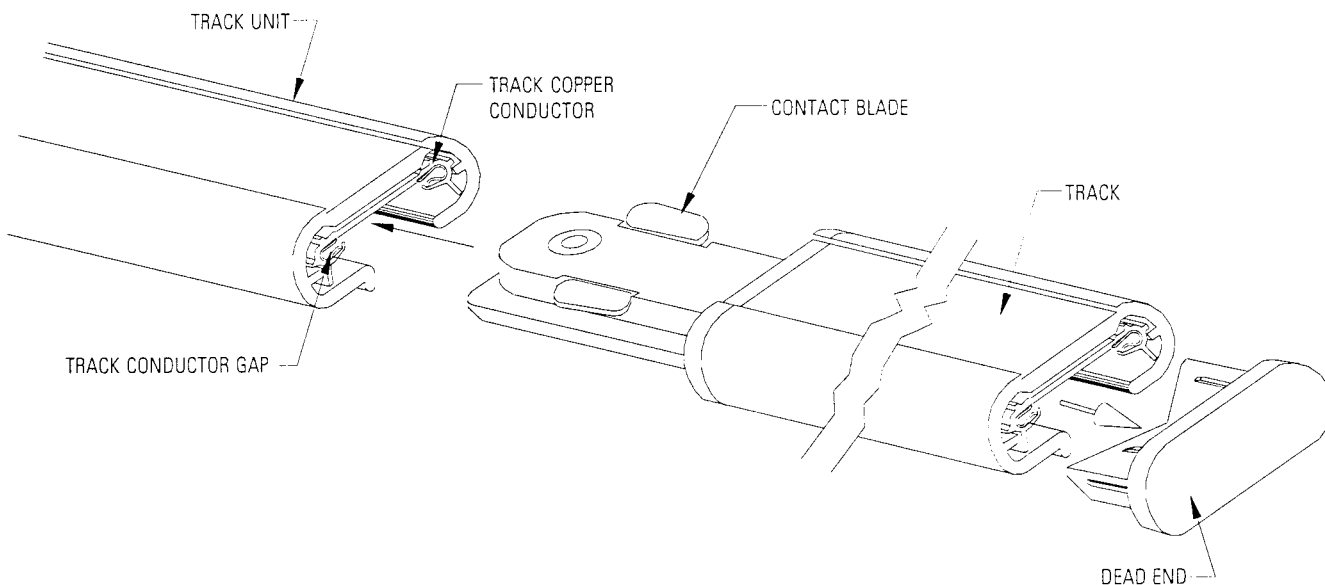
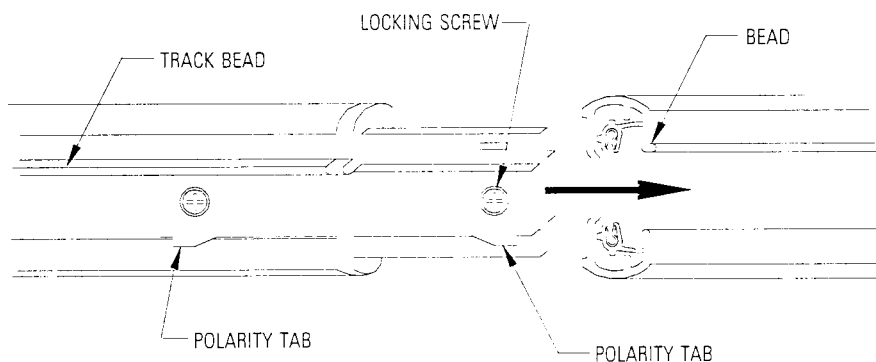
TRACK COUPLER FOR USE WITH PROFILE TRACK SYSTEMS ONLY

WARNING:

- **TURN OFF POWER AT ELECTRICAL PANEL BEFORE INSTALLING ELECTRICAL CONNECTOR AND TRACK.**
- **DO NOT ATTEMPT TO FEED POWER TO THE TRACK COUPLER.**

A. INSTALLING TRACK COUPLER

1. Remove DEAD ENDS from track SECTIONS. SAVE THE DEAD ENDS.
2. Point the POLARITY TAB away from the BEAD on the track.
3. Push TRACK COUPLER into both track units. Ensure CONTRACT BLADES insert into the TRACK CONDUCTOR GAPS.
4. Tighten LOCKING SCREW.
5. Install track per Instruction Sheet 9100 which is included with the track units.



LIGHTOLIER®

FALL RIVER, MASSACHUSETTS, 02720
MONTREAL, QUEBEC, CANADA