

CHLORIDE

by @ignify

Exit/Emergency

Patron

Die-cast aluminum
wall light/unit



Project:	
Location:	
Cat.No:	
Type:	
Lamps:	Qty:
Notes:	

Example: PDNBZ

Catalog Number	Operation	Volts	Lamp Wattage	Housing Finish	Lamp Type	Accessories (order separately)
PDNBZ	Nicad battery	6	6	Dark Bronze	6W halogen	WG4
PDRBZ	Remote unit	6	6	Dark Bronze	6W halogen	Wire Guard

codes and standards

- ETL listed to standard UL924
- Wet/Damp location listed
- NFPA 101 (Life Safety Code)
- NFPA 70 (National Electric Code)
- Meets ADA specifications

construction

- Marine-grade die-cast aluminum housing with mirror reflector to provide excellent photometrics.
- UV stable polycarbonate lens and neoprene gasket to protect from moisture and rain.
- Polyester powder coat for superior protection.
- Available in dark bronze only.
- Contact factory for custom colors.

installation

- Universal J-box pattern on back or rigid conduit entry on top of housing for mounting flexibility.

electronics

- The charger system includes low voltage disconnect to prevent deep discharge of battery. AC lockout to prevent battery drain prior to the energizing of utility power, and brownout protection which will automatically switch unit into emergency mode if the utility power sags below 80% of nominal. Solid-state, fully automatic charging circuit is protected with a moisture-resistant coating. All units are provided with self-diagnostics/self-test feature (Not available in remote units).

self-diagnostic/self-test

- This feature provides automatic testing and continuous monitoring of the unit and indicates any faults via a dual-color LED lamp. The low-profile test button with easily visible status indicator is located beneath the lens.
- This innovative circuitry monitors battery disconnection, charger failure, lamp failure and transformer fault every 5 seconds without discharging the battery or illuminating the lamps. It will automatically indicate lamp, battery, and charger status by dual-color LED lamp.
- The LED lamp indicator shows the following status:
 - Green - ON: Unit is ready.
 - Blinking: Unit is self-testing.
 - Red - Service Alert (see fault indications)
- Fault Indications: (Red LED lamp indicator)
 - One blink ON/pause 4 seconds: Battery not connected.

- Two blinks ON/pause 4 seconds: Battery is shorted or battery voltage drops below the accepted value.
- Three blinks ON/pause 4 seconds: Charger board circuit fault.
- Four blinks ON/pause 4 seconds: Transformer fault.
- Five blinks ON/pause 4 seconds: Lamp fault.
- The unit will automatically initiate a self-test as follows:
 - One minute self-test each month.
 - 30 minute self-test on the 6th month following installation.
 - 90 minute self-test on the 12th month following installation.
- Manual testing of the unit can be accomplished by pressing the test button as follows:
 - Once - 1 minute test
 - Twice - 2 minute test
 - Three - 30 minute test
 - Four - 90 minute test
- 120/277 VAC dual voltage input, selectable input.
- Power Consumption
 - PDN
 - 120 Volts: 105.8 mA
 - 277 Volts: 45.6 mA

lamps

- Nicad units have two 6V, 6W halogen bi-pin lamps.

battery

- 6V Maintenance free nickel cadmium battery.
- Battery has a service life of 7-9 years.
- Operating temperature range of 0 F (-18 C) to 131 F (55 C)*
- Provides 90 minutes of emergency illumination.

warranty

- Five year warranty on units. (Lamps not included.)

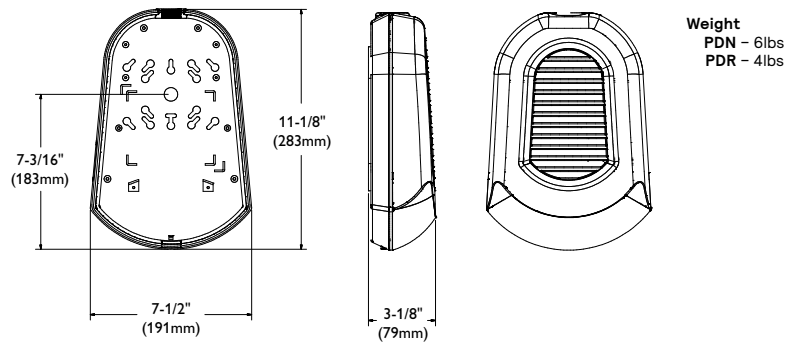
remote unit

- Available with 2 - 6V - 6W bi-pin halogen lamps.
- Available in dark bronze only.

* Increases or decreases in temperature may affect battery performance. Optimum battery performance realized at 77°F (25°C).

PD Patron die-cast aluminum wall light/unit

dimensions



The information presented in this document is not intended as any commercial offer and does not form part of any quotation or contract.

