

LED Floodlight / LED 投光灯 / LED 投光燈

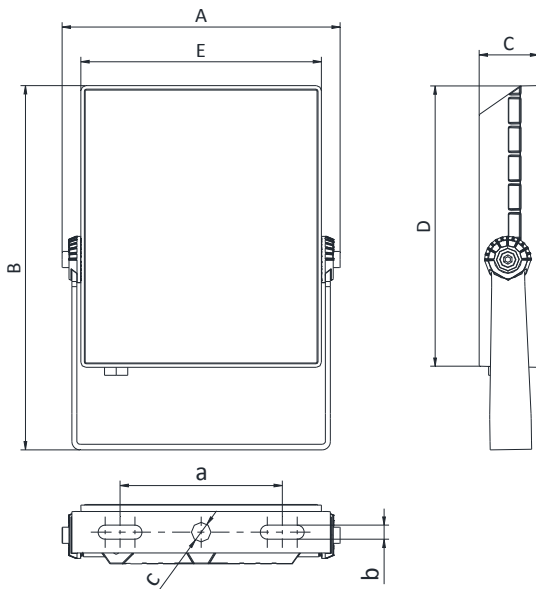
BVPI3x / BVPI4x

Mounting Instructions / 安装说明书 / 安裝說明書

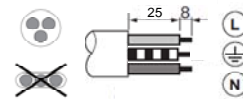
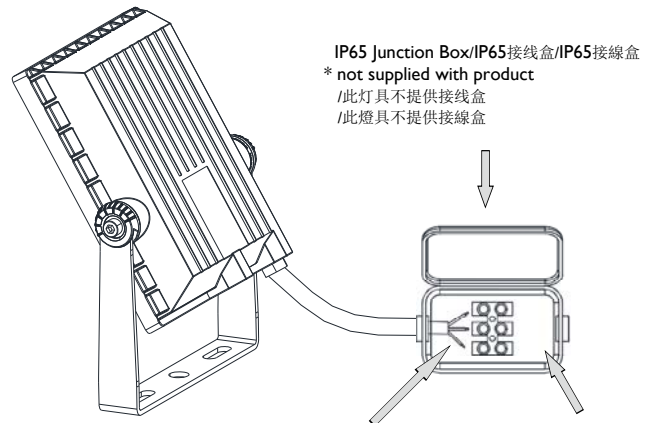
V1.1



Product Type /产品型号/產品型號	CCT (K) /色温 /色温	Power(W) /功率 /功率	LEDs	Lumen Output (lm) /流明输出/流明输出	Dimension(mm) /尺寸/尺寸 (mm) AxBxCxDxE (mm)	S.Cx (m ²)	kg	Voltage /电压/電壓	Frequency /频率/頻率
BVPI31 LED8/WW 10W 100-240V WB	3000	10	9	800	117x138x27X109x99.4	0.013	0.30	100-240V~	50/60Hz
BVPI31 LED8/NW 10W 100-240V WB	4000								
BVPI31 LED8/CW 10W 100-240V WB	6500								
BVPI32 LED16/WW 20W 100-240V WB	3000	20	18	1600	134x159x28X130x116.5	0.017	0.38		
BVPI32 LED16/NW 20W 100-240V WB	4000								
BVPI32 LED16/CW 20W 100-240V WB	6500								
BVPI33 LED24/WW 30W 100-240V WB	3000	30	30	2400	167x220x36x170x146	0.028	0.68		
BVPI33 LED24/NW 30W 100-240V WB	4000								
BVPI33 LED24/CW 30W 100-240V WB	6500								
BVPI35 LED40/WW 50W 100-240V WB	3000	50	48	4000	222x301x38X240x201	0.053	1.15		
BVPI35 LED40/NW 50W 100-240V WB	4000								
BVPI35 LED40/CW 50W 100-240V WB	6500								
BVPI41 LED08/WW 10W 100-240V 10W WB	3000	10	9	800	117x138x27X109x99.4	0.013	0.30		
BVPI41 LED08/NW 10W 100-240V 10W WB	4000								
BVPI41 LED08/CW 10W 100-240V 10W WB	6500								
BVPI42 LED16/WW 100-240V 20W WB	3000	20	18	1600	134x159x28X130x116.5	0.017	0.38		
BVPI42 LED16/NW 100-240V 20W WB	4000								
BVPI42 LED16/CW 100-240V 20W WB	6500								
BVPI43 LED24/WW 100-240V 30W WB	3000	30	30	2400	167x220x36x170x146	0.028	0.68		
BVPI43 LED24/NW 100-240V 30W WB	4000								
BVPI43 LED24/CW 100-240V 30W WB	6500								
BVPI45 LED40/WW 100-240V 50W WB	3000	50	48	4000	222x301x38x240x201	0.053	1.15		
BVPI45 LED40/NW 100-240V 50W WB	4000								
BVPI45 LED40/CW 100-240V 50W WB	6500								



Type	10W	20W	30W	50W
a (mm)	60	72	98	150
b (mm)	6.4	6.4	8.5	8.5
c (mm)	Ø8.5	Ø8.5	Ø11.8	Ø11.8



H05RN-F 3x1.0 mm²
60245IEC57
N: Blue/藍色/藍色
L: Brown/棕色/棕色

The terminal block should be complying with
EN60998-2-1/EN60998-2-2
/接线端子符合
EN60998-2-1/EN60998-2-2
/接線端子符合
EN60998-2-1/EN60998-2-2

LED Floodlight / LED 投光灯 / LED 投光燈

BVPI3x / BVPI4x

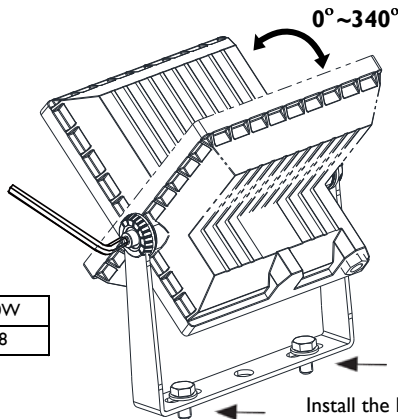
Mounting Instructions / 安装说明书 / 安裝說明書

V1.1

Product Type /产品型号 /產品型號	Run Current (A) /输入电流 (A) /輸入電流 (A)		Start (Inrush) Current(A) /Ipeak (A) /冲击电流 (A) /衝擊電流 (A)		Start Current Duration (µs) /T(@50% of Ipeak) (µs) /冲击电流脉冲宽度 (µs) /衝擊電流脈衝寬度 (µs)		* Touch current or protective conductor current (mA) /接触电流(漏电流)或保护导体电流 (mA) /接觸電流(漏電流)或保護導體電流 (mA)	Maximum Number of Luminaire on MCB 16A Type B (pcs) /B型16A微型断路器 允许连接此灯具数量 (pcs) /B型16A微型断路器 允許連接此燈具數量(pcs)	Maximum Number of Luminaire on MCB 16A Type C (pcs) /C型16A微型断路器 允许连接此灯具数量 (pcs) /C型16A微型断路器 允許連接此燈具數量(pcs)
	110V	230V	110V	230V	110V	230V			
BVPI31 / BVPI41	0.16	0.072	3.28	7.19	340	338	<3.5	50	50
BVPI32 / BVPI42	0.21	0.08	2.68	5.78	60.8	56.4	<3.5	53	53
BVPI33 / BVPI43	0.28	0.12	2.68	6.16	70.2	62.2	<3.5	40	40
BVPI35 / BVPI45	0.47	0.2	3.64	8.64	88	76	<3.5	23	23

The leakage current *(touch current or protective conductor current) of electrical circuit may be greatly dependent upon electrical supply cables used such as its rating and length, proper connection of electrical supply cables to luminaires and wiring connection topology of luminaires to the supply electrical circuit amongst other site conditions.

* In some cases referred to as Earth Leakage Current.



Fasten the bolt
/锁紧两侧紧固螺钉
/鎖緊兩側緊固螺釘
Torque : Nm
扭矩: Nm

	10W	20W	30W	50W
Torque(Nm)	1.8	1.8	8	8

Install the luminaire according to the national regulation and make sure it will not fall off.
按照国家标准安装固定好灯具，确保其不会掉落。
按照國家標準安裝固定好燈具，確保其不會掉落。

Please read this manual carefully before using the product.

1. Do not switch on before complete installation.
2. The luminaire shall be installed by a qualified electrician and wired in accordance with the latest IEE electrical regulations or the national requirements.
3. The external flexible cable or cord of this luminaire cannot be replaced; if the cord is damaged, the luminaire shall be destroyed.
4. The light source of this luminaire is not replaceable; when the light source reaches its end of life the whole luminaire shall be replaced.
5. The luminaire is complied with IEC60598.

在使用产品前请仔细阅读这个安装说明书：

1. 接线过程中，切勿通电；
2. 此灯具应由有资格的电工安装，接线要符合IEE电气标准或国家标准；
3. 此灯具的外部软缆或软线不能替换；如果软缆或软线损坏，该灯具即应报废；
4. 此灯具的光源是不可替换的，当光源到其寿终时，应替换整个灯具；
5. 此灯具是符合IEC60598标准。

在使用產品前請仔細閱讀這個安裝說明書：

1. 接線過程中，切勿通電；
2. 此燈具應由有資格的電工安裝，接線要符合IEE標準或國家標準；
3. 此燈具的外部軟纜或軟線不能替換；如果軟纜或軟線損壞，該燈具即應該報廢；
4. 此燈具的光源是不可替換的，當光源到其壽終時，應替換整個燈具；
5. 此燈具是符合IEC60598標準。