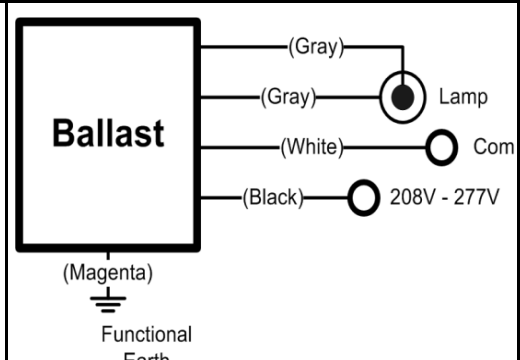
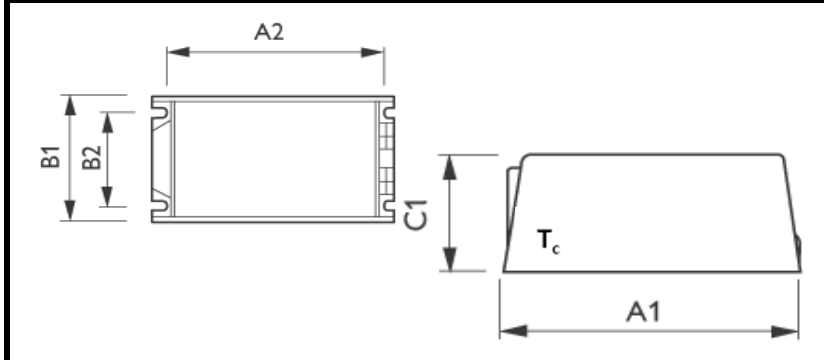
	Xtreme Electronic Ballast for Philips MasterColor Elite Metal Halide Lamps	Catalog Number: IMH-210-T-LS For 210W Philips Metal Halide Lamps ANSI C183 208V-277V 50/60Hz Electronic Status: RELEASED
---	---	--

DIMENSIONS AND DATA

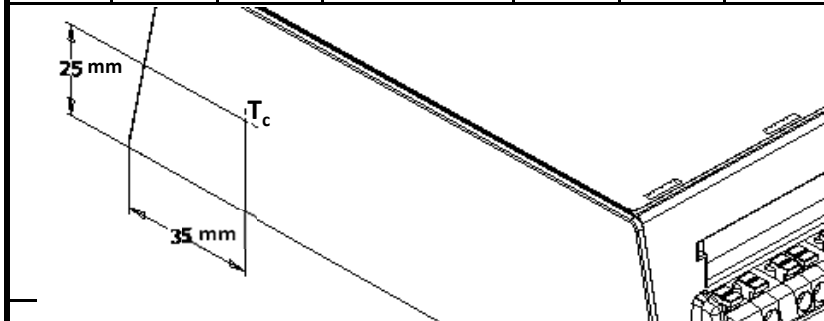
Lamp		Input Volts	Catalog Number*	Line Current (Amps)	Input Power (Watts)	Min Power Factor	Wiring Diag	Fig.	Weight (lb)	Max. Distance to Lamp (ft)
Number	Watts									

210W Watt Lamp, ANSI Code C183 Minimum Starting Temp -30°C/-22°F

1	210	208 277	IMH-210-T-XX	1.11 0.83	228	0.95	10	T	3.1	30
---	-----	------------	--------------	--------------	-----	------	----	---	-----	----



Case Figure	Overall Length	Case Length	Case Width	Height	Mounting Length	Mounting Width
T	166mm [6.5"]	166mm [6.5"]	100mm [3.9"]	60mm [2.4"]	156mm [6.1"]	81.5mm [3.2"]







INSTALLATION & APPLICATION NOTES:

1. Maximum allowable case temperature is 90°C. See figure above for measurement location
2. Resonant ignition is 3.0 kV max
3. To prevent water traps do not mount the connectors upwards
4. Ballast output will shutdown after 20 minutes if lamp fails to ignite
5. Power must be cycled off – then on, after replacing lamp
6. Functional Earth (magenta connector) must be connected to large metal plate of luminaire to enable the common mode 10kV transient protection

*Ordering Information	
Order Suffix	Description
-LS	Ballast with side exit connector and mounting feet

Data is based on tests performed by Philips Advance in a controlled environment and is representative of relative performance. Actual performance can vary depending on operating conditions. Specifications are subject to change without notice. All specifications are nominal unless otherwise noted.

Philips Lighting Electronics N.A.

10275 West Higgins Road • Rosemont, IL 60018 • www.philips.com/advance
 Tel: 800-322-2086 • Fax: 800-423-1882 • Customer Support: 800-372-3331 • OEM Support: 866-915-5886