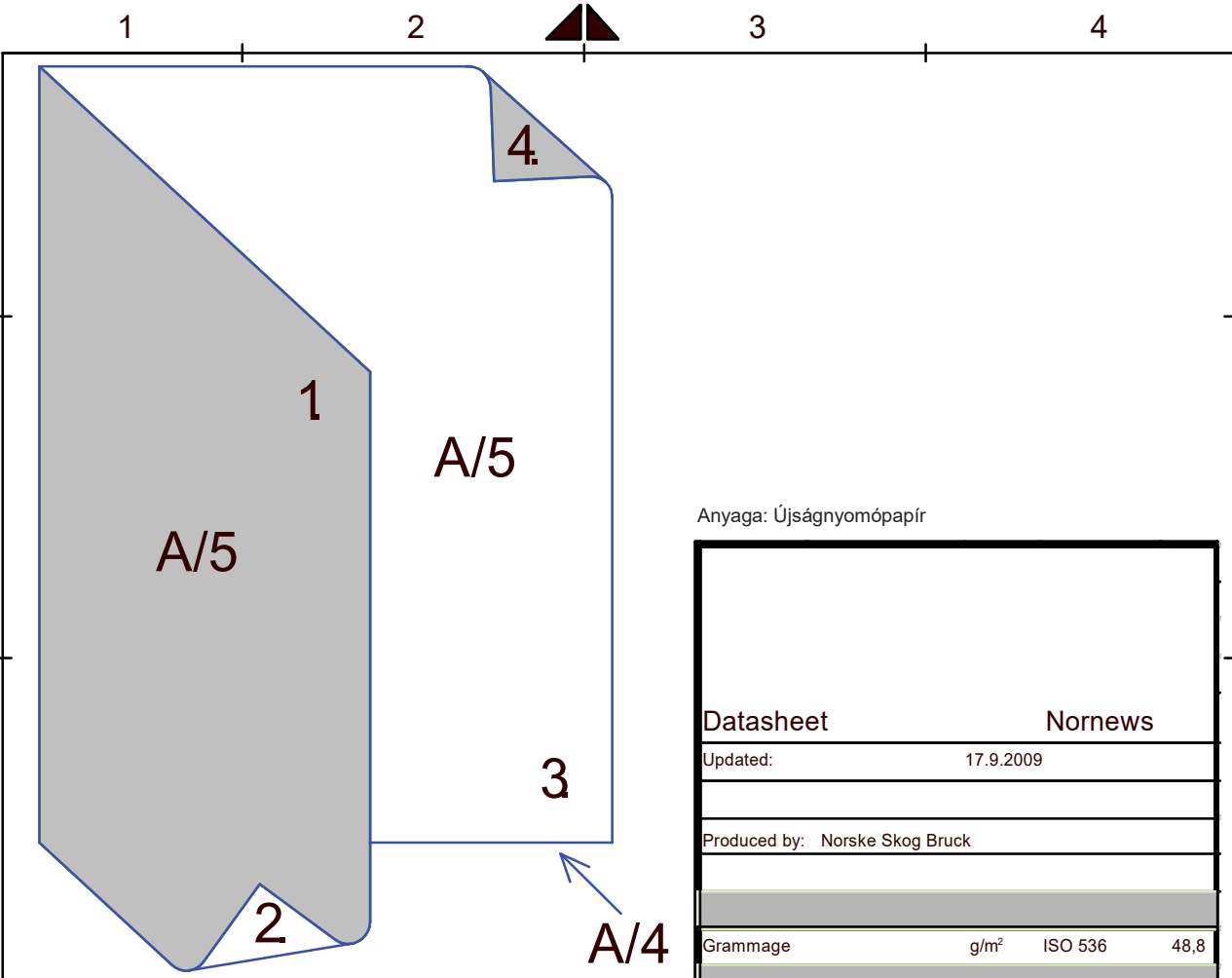


PHILIPS



© All rights are reserved. Reproduction in whole or in part is prohibited without the written consent of the copyright owner.



A4 lapra, félbehajtvva
(4 db A5) / A4 lap

Anyaga: Újságnymópapír

Datasheet		Nornews	
Updated:	17.9.2009		
Produced by:	Norske Skog Bruck		
Grammage	g/m ²	ISO 536	48,8
Thickness	m	ISO 534	67
Density	kg/m ³	ISO 534	730
Bulk	cm ³ /g	ISO 534	1,4
Roughness (PPS 1MPa)	ml/min	DIN 53108	140
Brightness, ISO		ISO 2470	59
Opacity		ISO 2471	96
L*		ISO 5631	83,5
a*		ISO 5631	-0,3
b*		ISO 5631	3,0

REVISION	SYM	REVISED BY	REVISION INFORMATION
A		B. Laczló	First creation

 ISO 1302 ISO 12805 .. Ra in µm	TOLERANCES UNLESS OTHERWISE STATED DIMENSION ANGLE	ISO 1101/5459 	DIMENSIONS CRITICAL TO PART QUALITY ARE INDICATED BY AN OBLONG AROUND A DIMENSION (XXX) OR BY THE TEXT (CTQ). REFER TO ASSOCIATED QUALITY DOCUMENTS FOR CTQ REQUIREMENTS.
--	--	-------------------	---

GENERAL ROUGHNESS 	UNIT mm	MATERIAL 	TOLERANCES ACCORDING TO NORM NORMAL CLASS, IF NOT NOTED
-----------------------	------------	--------------	--

SCALE 	PROJ. EUROP. 	TREATMENT 	ORDER NO. 	QUANT.
-----------	------------------	---------------	---------------	------------

CLASS No. 	NT/MI GreenSpace Accent Projector	44431617791	A 2017/02/23
---------------	-----------------------------------	-------------	----------------

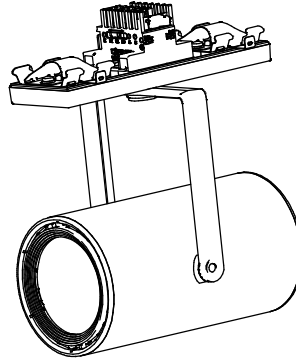
NAME B. Laczló	SUPERS	SH. 1	SH. 1	A4
----------------	--------	-------	-------	----

CHECK	DATE 2017/02/23	PROPERTY OF: © Copyright Philips Electronics N.V.
-------	-----------------	---

PHILIPS

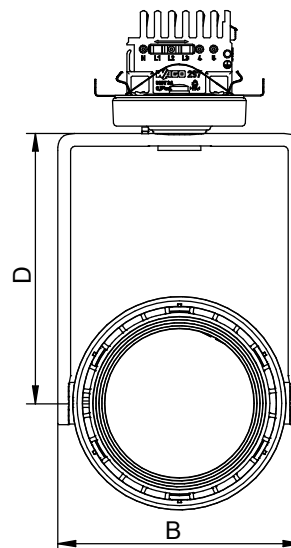
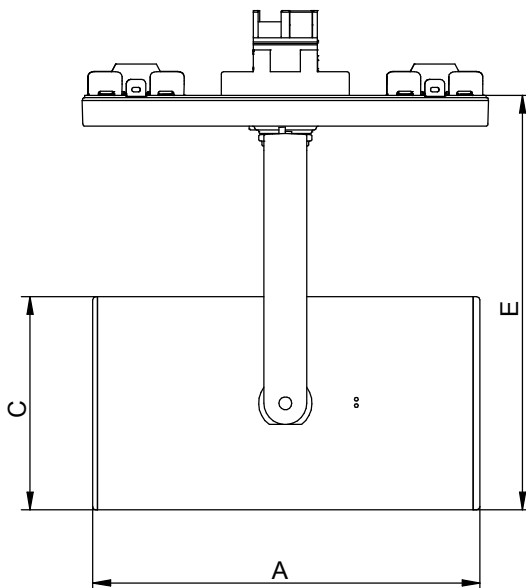
GSA Projector
Maxos fusion

ST320S

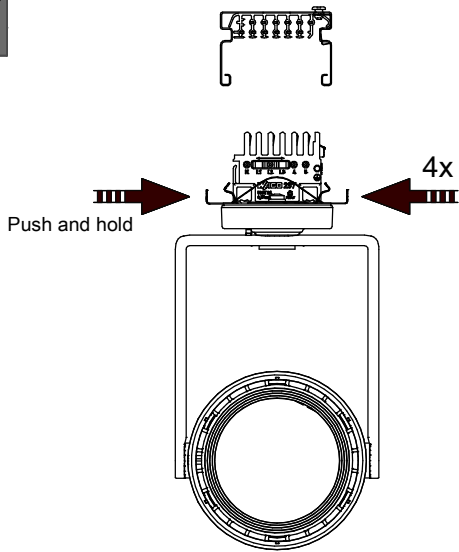


Housing	Lumen package	Color temperature [K]		P _{nom.}	P _{max.}	Beam angle				
						NB	MB	WB	VWB	LIN
ST320S	LED17S	827/830/840	1,0	14,4W	15,0W		x	x	x	x
		PW9	1,0	17,0W	19,5W		x	x	x	x
		CRW	1,0	20,0W	23,0W		x	x	x	x
		CH	1,0	23,0W	26,5W		x	x	x	x
	LED19S	FMT	1,0	26,5W	30,5W		x	x	x	x
	LED20S	827/830/840	1,0	21,2W	24,3W	x				
		PW9	1,0	21,5W	24,3W	x				
		CRW	1,0	22,0W	25,3W	x				
	LED27S	827/830/840	1,0	23,0W	25,0W		x	x	x	x
		PW9	1,0	27,0W	31,0W		x	x	x	x
		CRW	1,0	33,0W	38,0W		x	x	x	x
	LED39S	827/830/840	1,0	32,9W	35,5W		x	x	x	x
		PW9	1,0	37,0W	42,5W		x	x	x	x

Main dimensions

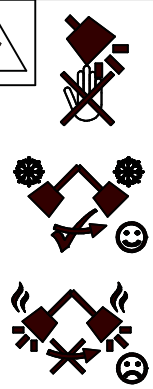
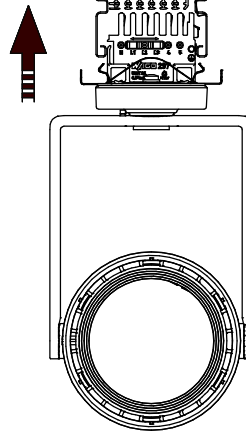


Housing	Adapter type	Driver type	A(mm)	B(mm)	C(mm)	D(mm)	E(mm)
ST320S	GLOBAL 3C Track - GA69	PSU	182	114	100	126	193

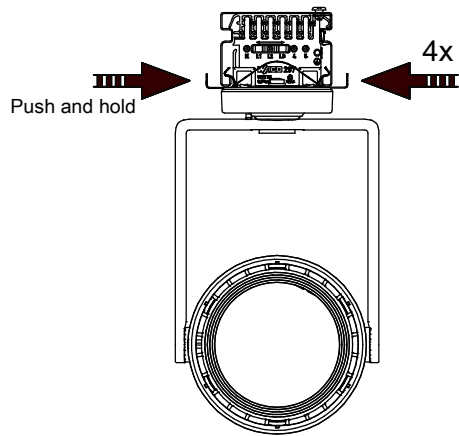


1a

on

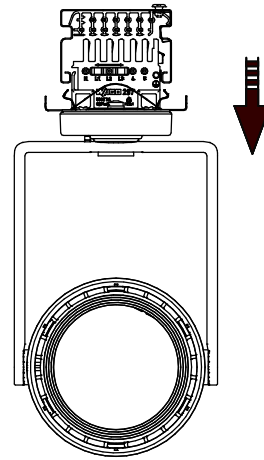


1b

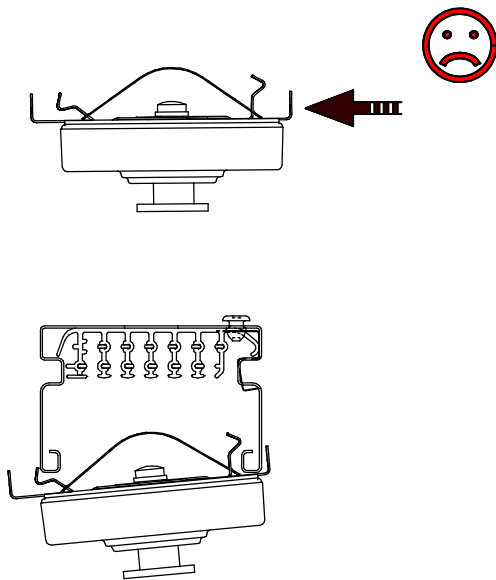


2a

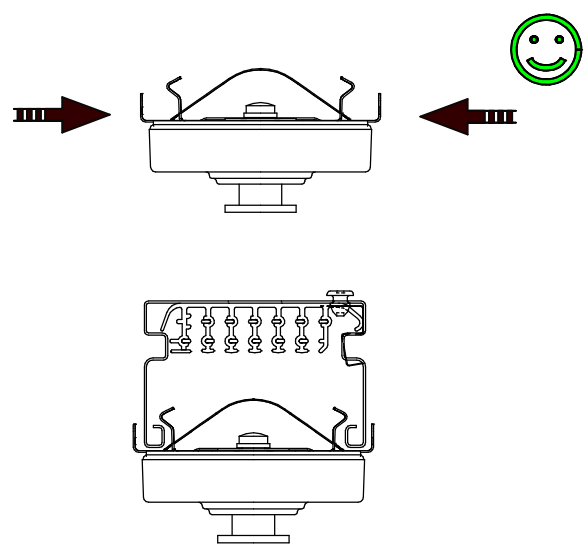
off



2b

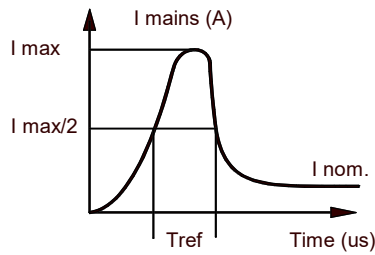


3a



3b

Inrush current



*According to:
IEC60555 test conditions

Titanium 20W/m 0.15-0.5A 48V 230V (PSU)		
Lum. Pack	CCT	Inom. (A)
LED17S	827/830/840	0.062
	PW9	0.073
Imax.(A)		18.6
Tref. (us)		240
MCB		Max. Products (pcs)*
B-10A		21
B-16A		34
C-10A		35
C-16A		57

Titanium 36W/m 0.3-1.05A 48V 230V (PSU)		
Lum. Pack	CCT	Inom. (A)
LED17S	CRW	0.086
	CH	0.100
LED20S	827/830/840	0.092
	PW9	0.093
	CRW	0.095
LED27S	827/830/840	0.100
Imax.(A)		18.6
Tref. (us)		240
MCB		Max. Products (pcs)*
B-10A		21
B-16A		34
C-10A		35
C-16A		57

Titanium 50W/m 0.7-1.5A 48V 230V (PSU)		
Lum. Pack	CCT	Inom. (A)
LED19S	FMT	0.115
	PW9	0.117
LED27S	CRW	0.143
	827/830/840	0.143
LED39S	827/830/840	0.143
	PW9	0.160
Imax.(A)		22
Tref. (us)		260
MCB		Max. Products (pcs)*
B-10A		15
B-16A		24
C-10A		24
C-16A		40

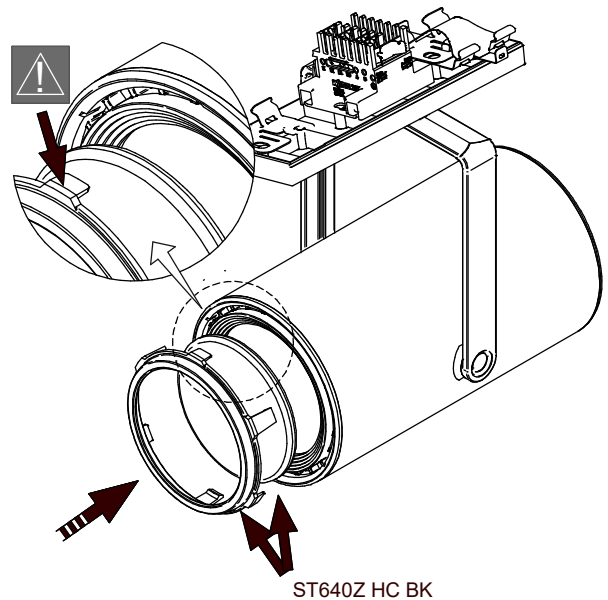
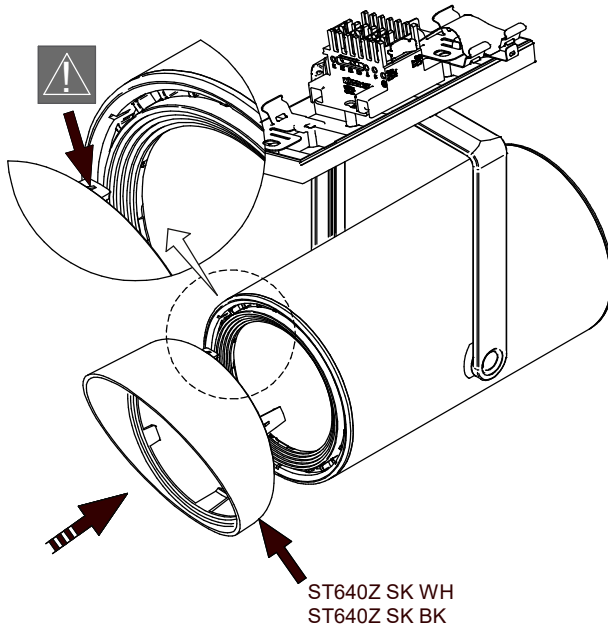
Titanium 20W/m 0.15-0.5A 48V 230V (PSD)		
Lum. Pack	CCT	Inom. (A)
LED17S	827/830/840	0.062
	PW9	0.073
Imax.(A)		20.4
Tref. (us)		195
MCB		Max. Products (pcs)*
B-10A		15
B-16A		24
C-10A		24
C-16A		40

Titanium 36W/m 0.3-1.05A 48V 230V (PSD)		
Lum. Pack	CCT	Inom. (A)
LED17S	CRW	0.086
	CH	0.100
LED20S	827/830/840	0.092
	PW9	0.093
	CRW	0.095
LED27S	827/830/840	0.100
Imax.(A)		24.4
Tref. (us)		195
MCB		Max. Products (pcs)*
B-10A		15
B-16A		24
C-10A		35
C-16A		40

Titanium 50W/m 0.7-1.5A 48V 230V (PSD)		
Lum. Pack	CCT	Inom. (A)
LED19S	FMT	0.115
	PW9	0.117
LED27S	CRW	0.143
	827/830/840	0.143
LED39S	827/830/840	0.143
	PW9	0.160
Imax.(A)		24.9
Tref. (us)		186
MCB		Max. Products (pcs)*
B-10A		16
B-16A		27
C-10A		27
C-16A		45

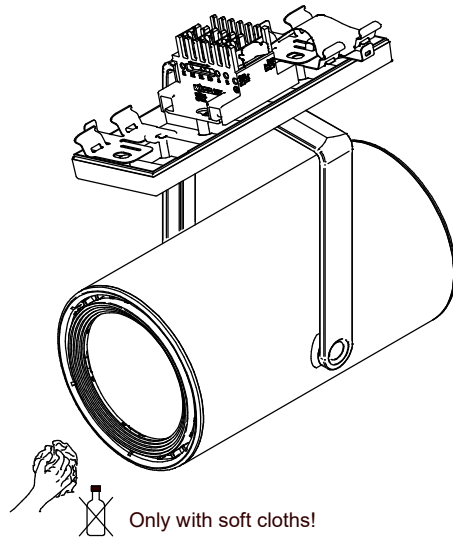


Accessory installation





Optical cleaning



© 2016 Philips Lighting Holding B.V.

All rights reserved. Reproduction in whole or in part is prohibited without the prior written consent of the copyright owner. The information presented in this document does not form part of any quotation or contract. It is believed to be accurate and reliable and may be changed without notice. No liability will be accepted by the publisher for any consequence of its use. Publication thereof does not convey nor imply any license under patent- or other industrial or intellectual property rights.

Philips Lighting B.V.
The Netherlands