

PHILIPS

ActiLume gen2
Multi-Sensor

LRI1663



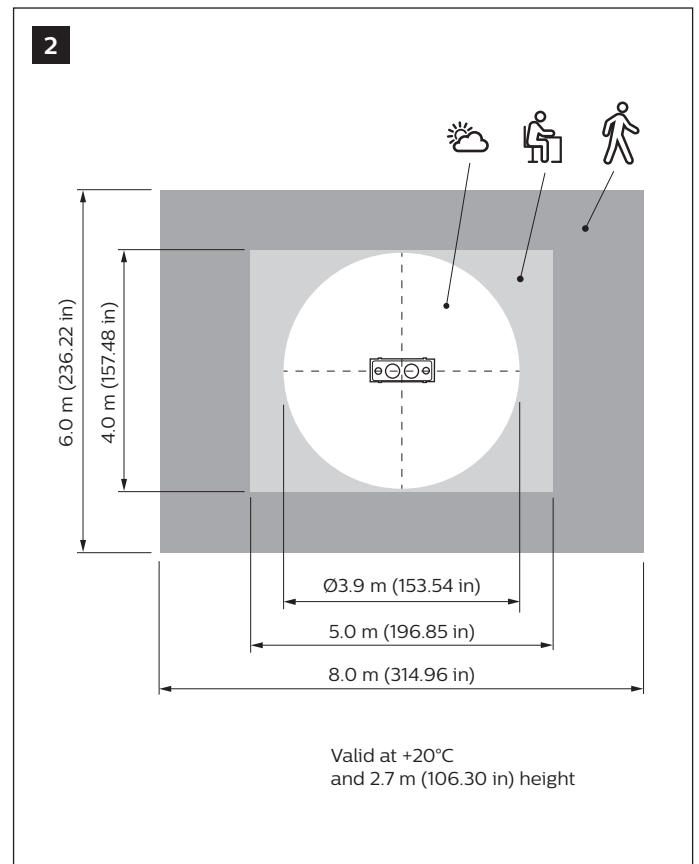
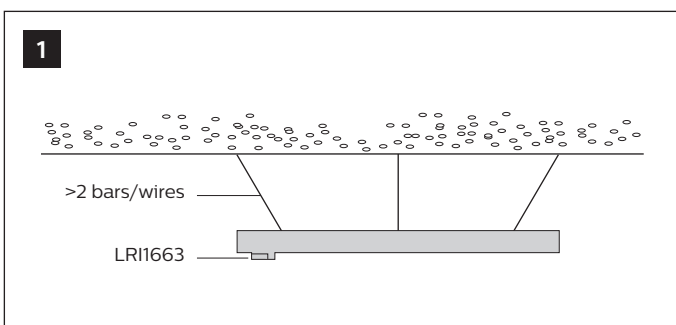
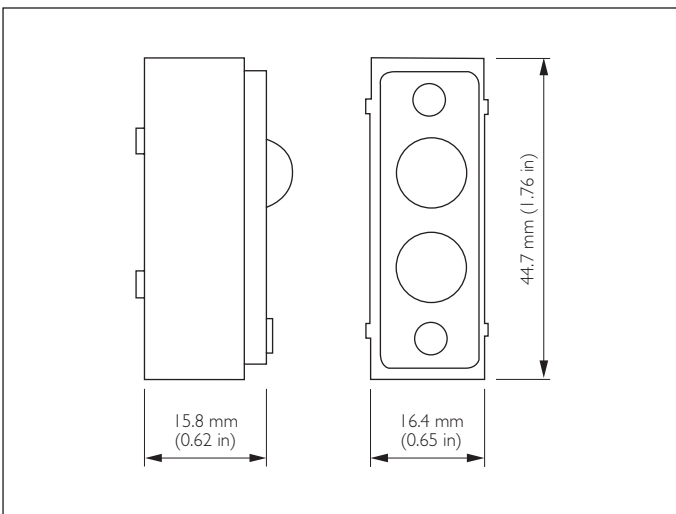
Installation Instructions

Instructions d'installation
Instrucciones de instalación

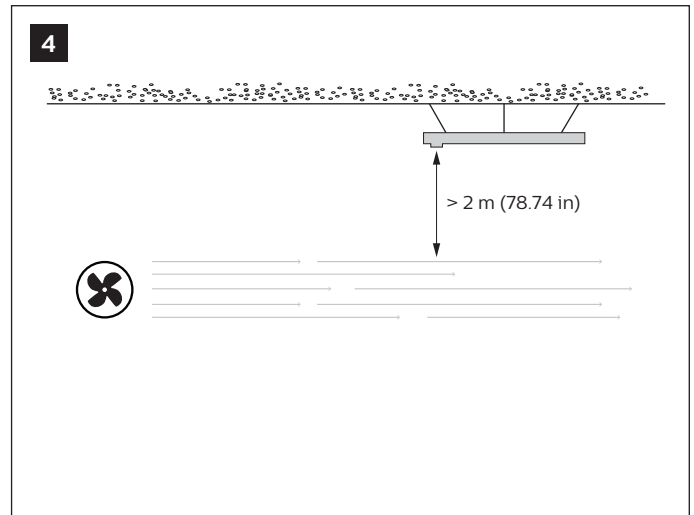
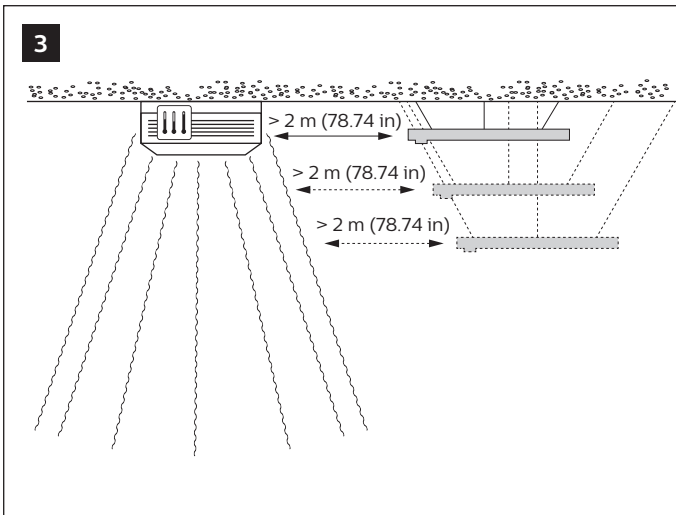
Istruzioni per l'installazione
Installatie-instructies

Installationsanweisungen
インストール手順

安装指示书
إرشادات التركيب



max
55°C
min
0°C



Hazardous Substances

| Type | LRI1663 |
|---------------------------------------|---------|
| Lead (Pb) | x |
| Mercury (Hg) | 0 |
| Cadmium (Cd) | 0 |
| Hexavalent Chromium (Cr (VI)) | 0 |
| Polybrominated biphenyls (PBB) | 0 |
| Polybrominated diphenyl ethers (PBDE) | 0 |

This table is prepared in accordance with the provisions of SJ/T 11364.

O: Indicates that said hazardous substance contained in all of the homogeneous materials for this part is below the limit requirement of GB/T 26572.

X: Indicates that said hazardous substance contained in at least one of the homogeneous materials used for this part is above the limit requirement of GB/T 26572.

