


A/4 lapra,  
félbehajtva

(4 db A/4) / A/3  
lap

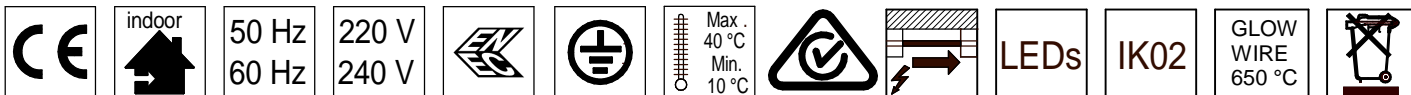
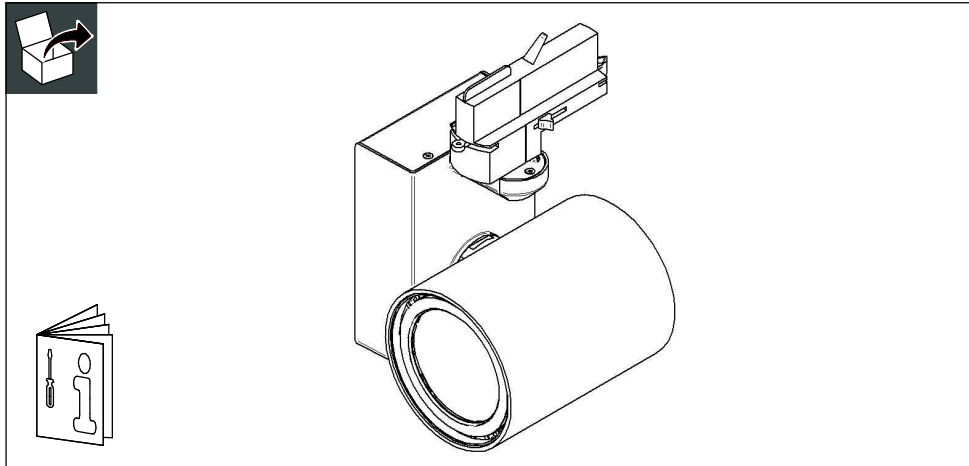
Anyaga: Újságnymópapír

 <b>Norske Skog</b>			
<b>Datasheet</b>		<b>Nornews</b>	
<b>Updated:</b>	17.9.2009		
<b>Produced by:</b> Norske Skog Bruck			
<b>Basic properties</b>		(nominal values)	
Grammage	g/m <sup>2</sup>	ISO 536	48,8
<b>Structural properties</b>		(nominal values)	
Thickness	μm	ISO 534	67
Density	kg/m <sup>3</sup>	ISO 534	730
Bulk	cm <sup>3</sup> /g	ISO 534	1,4
Roughness (PPS 1MPa)	ml/min	DIN 53108	140
<b>Optical properties</b>		(nominal values)	
Brightness, ISO	%	ISO 2470	59
Opacity	%	ISO 2471	96
L*		ISO 5631	83,5
a*		ISO 5631	-0,3
b*		ISO 5631	3,0
<b>Printing method</b>		Cold Set Web Offset	

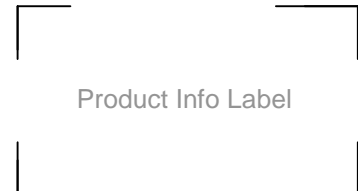
# PHILIPS

## ProAir

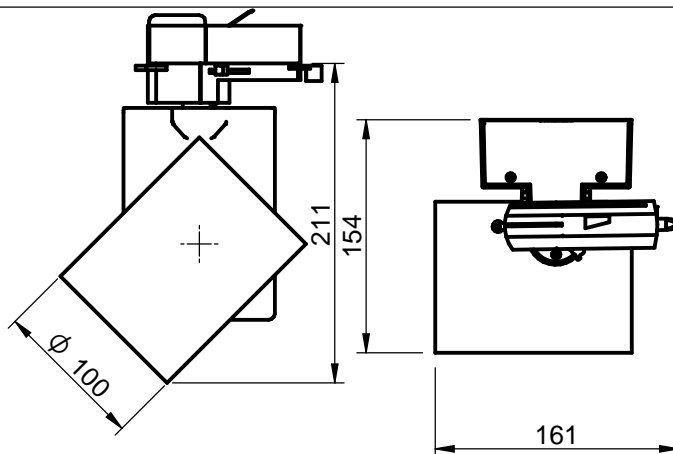
### ST640T



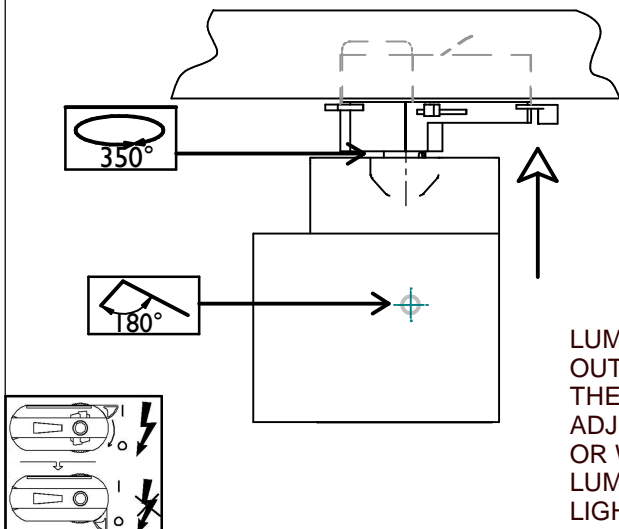
Model	Lumen Package	Color Temperature	Driver	Weight (kg)
ST640T	LED15S	CRW	PSU/PSD-VLC	1,45
	LED20S	830/930	PSU/PSD-VLC	
	LED17S	830/930/CRW	PSU/PSD-VLC	
	LED27S	830/930/CRW	PSU/PSD-VLC	
	LED39S	830/930	PSU	



#### General dimensions



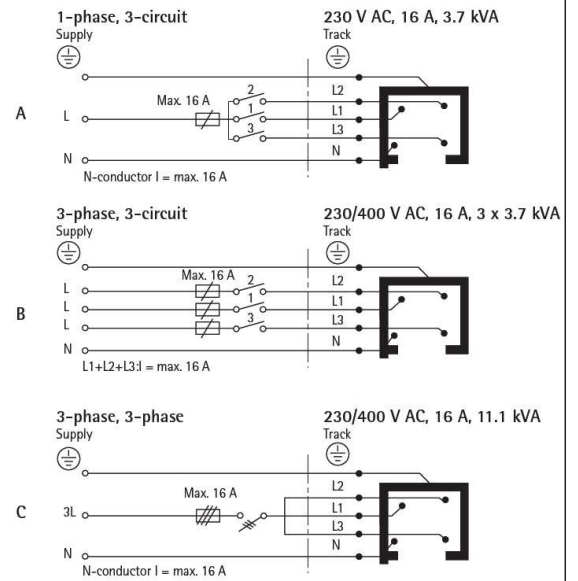
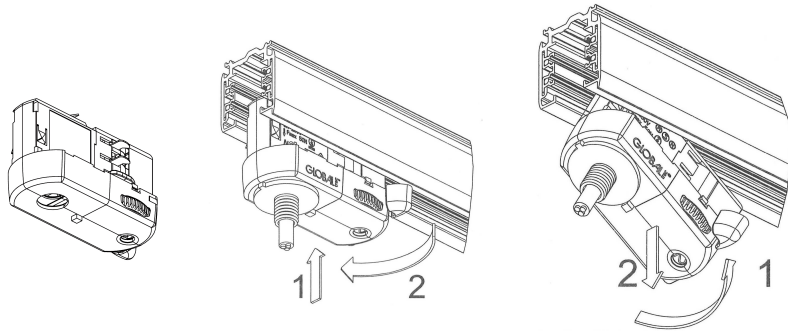
#### Installation



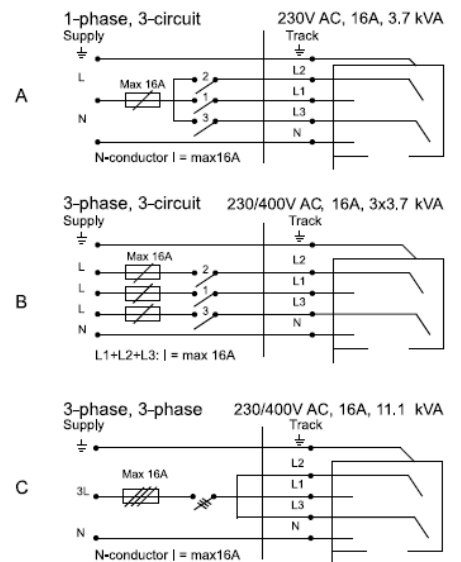
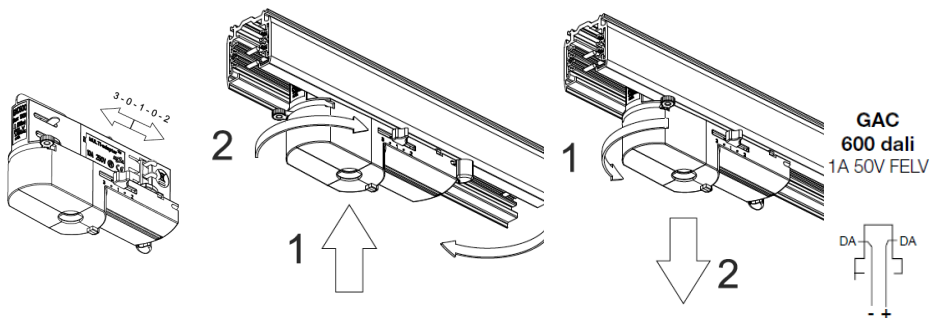
**LUMINAIRES MUST BE INSTALLED OUT OF ARM REACH DISTANCE/HEIGHT! THE SPOT HEAD CAN BE PERCEIVED AS HOT. ADJUST THE SPOTHEAD AFTER THE LUMINAIRE IS COOLED DOWN OR WHEN USING HEAT INSULATING GLOVES. LUMINAIRE CAN NOT BE OPENED, LIGHTSOURCE CAN NOT BE REPLACED!**

# ST640T Global Trac Pro GA69

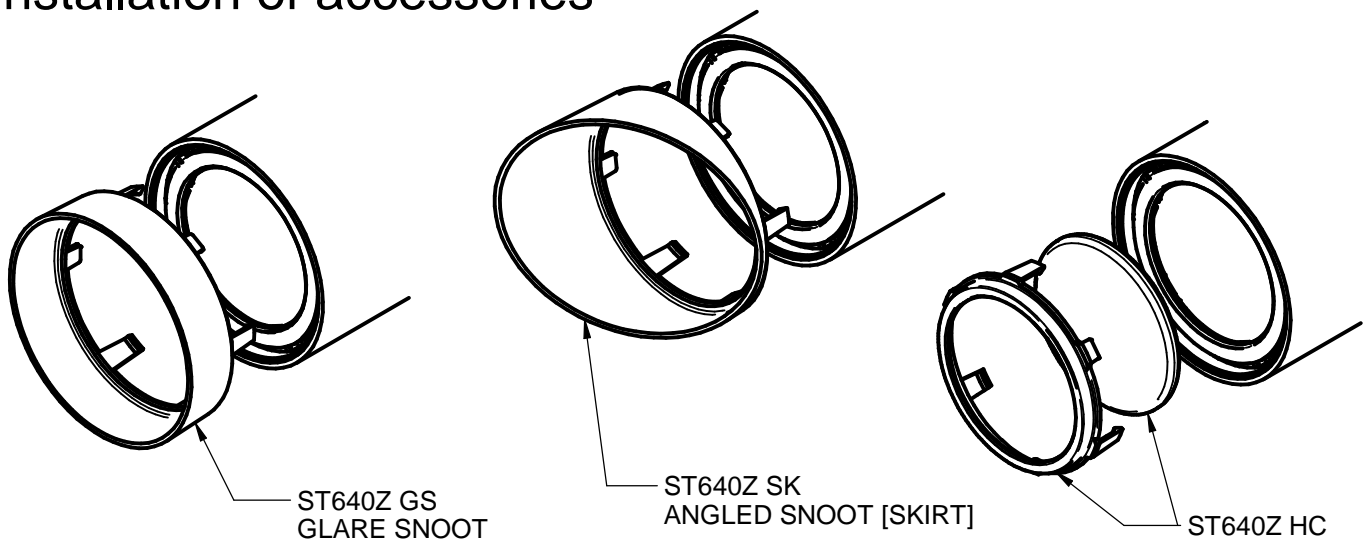
## GLOBAL Trac Pro

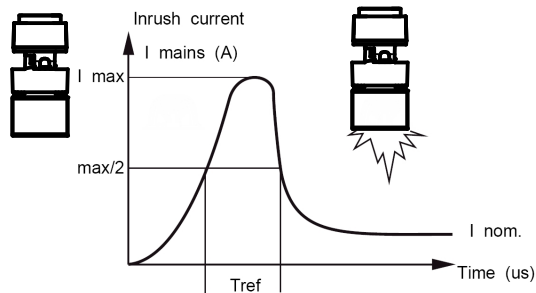


# ST640T 5C6 GLOBAL Trac Control PULSE GAC 600



## Installation of accessories





\*According to: IEC60555 test conditions

<b>Xitanium 36W/m 0.3-1.05A 48V 230V (PSU)</b>			<b>Xitanium 28W/m 0.6A 46V SC 230V (PSU)</b>		
<b>Lum. Pack</b>	<b>CCT</b>	<b>Inom. (A)</b>	<b>Lum. Pack</b>	<b>CCT</b>	<b>Inom. (A)</b>
LED15S	CRW	0,112	LED27S	830	0,107
LED17S	830	0,07			
LED17S	930	0,83			
LED17S	CRW	0,103			
LED20S	830	0,89			
LED20S	930	0,111			
LED27S	930	0,131			
LED27S	CWR	0,158			
<b>Imax. (A)</b>		18			
<b>Tref. (us)</b>		250	<b>Tref. (us)</b>		310
<b>MCB</b>		<b>Max. Products (pcs)*</b>	<b>MCB</b>		<b>Max. Products (pcs)*</b>
B-16A		34	B-16A		34
<b>XITANIUM 36W WH 0.3-1A 54V TD/IS CL (PSD-VLC)</b>			<b>Xitanium 50W WH 0.7-1.5A 54V Is (PSU)</b>		
<b>Lum. Pack</b>	<b>CCT</b>	<b>Inom. (A)</b>	<b>Lum. Pack</b>	<b>CCT</b>	<b>Inom. (A)</b>
LED15S	CRW	0,112	LED49S	830	0,174
LED17S	830	0,07	LED49S	930	0,222
LED17S	930	0,83			
LED17S	CRW	0,103			
LED20S	830	0,89			
LED20S	930	0,111			
LED27S	830	0,107			
LED27S	930	0,131			
LED27S	CWR	0,158			
<b>Imax. (A)</b>		20,4			
<b>Tref. (us)</b>		195	<b>Tref. (us)</b>		272
<b>MCB</b>		<b>Max. Products (pcs)*</b>	<b>MCB</b>		<b>Max. Products (pcs)*</b>
B-16A		24	B-16A		24



© 2018 Signify Holding.

All rights reserved. This document contains information relating to the product portfolio of Signify which information may be subject to change. No representation or warranty as to the accuracy or completeness of the information included herein is given and any liability for any action in reliance thereon is disclaimed. The information presented in this document is not intended as any commercial offer and does not form part of any quotation or contract. Philips and the Philips Shield Emblem are registered trademarks of Koninklijke Philips N.V.. All other trademarks are owned by Signify Holding or their respective owners.

Signify Holding.  
The Netherlands