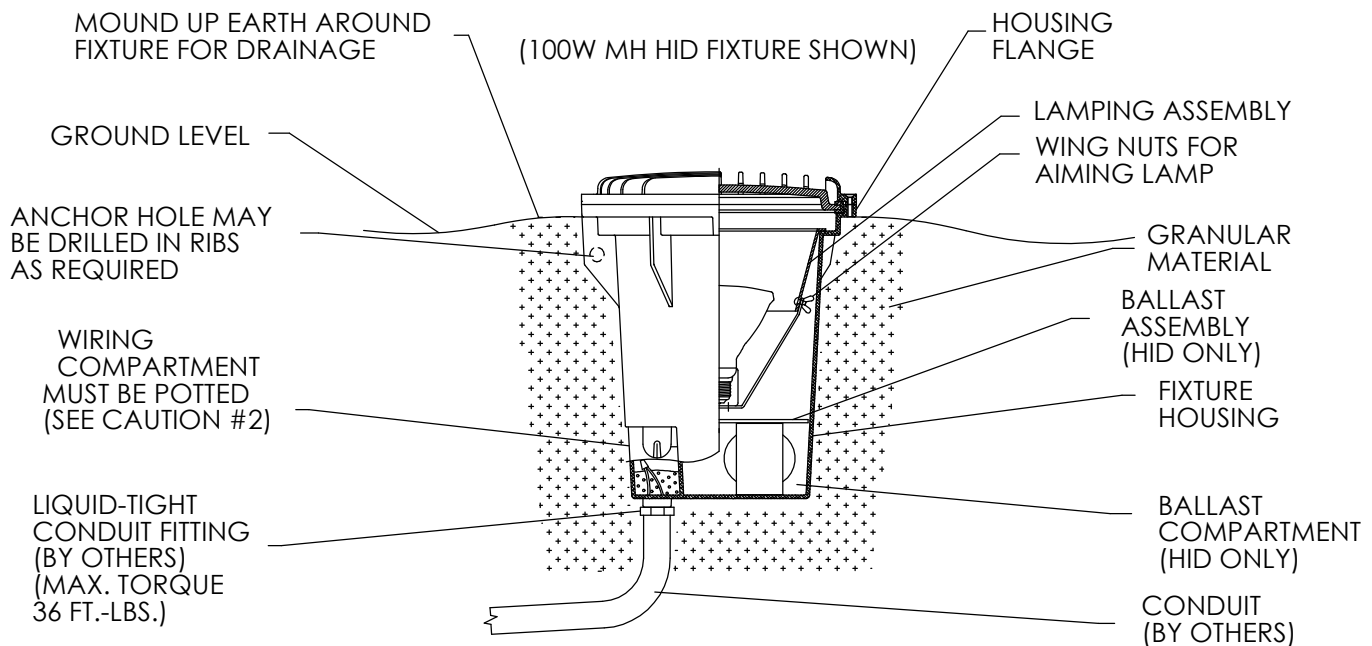


## INSTALLATION INSTRUCTIONS: 14/G8/AG03 INGROUND UPLIGHT



### CAUTION:

1. The housing should not be installed in insulating materials such as bark, vermiculite, etc. for the full depth of the housing. Surface use of these materials around BUT NOT ON TOP of the fixture is acceptable.
2. Conduit entry ways should be properly sealed around threads and duct seal should be used in the conduit around the wires to prevent water entry through the conduit. Unused conduit entry ways should be properly plugged and sealed. Two part epoxy must be used and wire compartment sealing instructions must be followed. **Failure to do so will void warranty.**
3. The fixture should not be installed in low lying areas or where water may accumulate and stand for long periods of time.
4. Soil should be mounded up around the fixture to promote drainage.
5. **Do not install fixture within 10 feet (3 meters) of a pool, spa or fountain.**
6. Some fixtures are supplied with Desi-Pak. If it is present, DO NOT remove. It will absorb moisture, preventing internal condensation on the lens.



This fixture is intended for installation in accordance with the National Electrical Code and local code specifications. Failure to adhere to these codes and instructions may result in serious injury and/or damage to the ballast and void the warranty. These instructions do not purport to cover all details or variations in equipment, nor to provide for every possible contingency related to installation, operation, maintenance, or mounting situation. Should specific problems occur that are not addressed by these instructions, contact your Sales Representative or distributor for assistance. Retain these instructions for future reference.



### SAFETY WARNING:

**ALWAYS TURN FIXTURE OFF/DISCONNECT POWER AND ALLOW TO COOL BEFORE PERFORMING ANY MAINTENANCE, INCLUDING RELAMPING AND CLEANING!**

This fixture can become very HOT! The fixture housing and lens, especially if it is glass, can become hot enough to blister hands. Attention should be paid to where the fixture is mounted, particularly if it can be touched by children or pets. To help prevent premature failure, decreased performance, overheating and risk of fire, keep fixture and lens clean and free of leaves, mulch, debris and mineral deposits from water. Failure to do so will void warranty and could cause a fire. The fixture and lens can be cleaned using a soft cloth and a solution of mild liquid soap and warm water. Wipe clean and dry with a soft, lint-free dry cloth. Avoid polishing fixture or lens.

## INSTALLATION:

### Housing/Conduit Excavation

Excavate soil for fixture placement and conduit runs. Contour the hole to the shape of the fixture housing, allowing 3" minimum around and under the housing for placement of sand or other granular material. If the installation is in concrete, the fixture must be placed on a 4" min. bed of gravel with soil below. Use the CP4 accessory kit for I4 concrete installation.

Loosen the 8 screws on the lens retainer. Remove the retainer and lens/gasket assembly. Remove the two screws and tabs holding the lamping assembly in place (if applicable). Remove the lamping assembly from the fixture, unplugging the quick disconnect and set aside. For HID, loosen the two screws holding the ballast plate, rotate and remove the ballast assembly. For Incandescent, remove wire compartment cover.

Connect conduit fittings to the housing utilizing a thread sealant. Tighten conduit fittings to 36 ft-lbs maximum using a torque wrench. Improper torque procedure may cause damage to the fixture and void the warranty.

Wires to fixture (rough wiring) are recommended not to be longer than 4" protruding out of wire compartment to ensure potting compound covers wires.

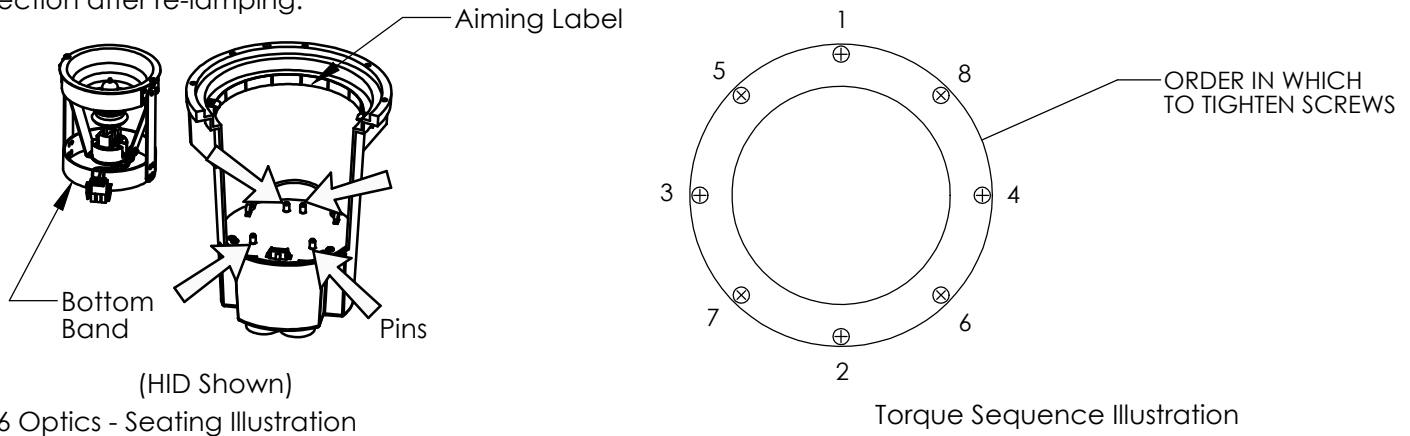
### Wire Compartment Sealing

#### WARNING:

- To ensure proper sealing, wire sealing compound is not re-enterable.
  - Failure to follow potting procedure may allow water to leak into fixture, and void the warranty.
- 1.) Use supplied silicone filled blue wire nuts to connect fixture wires to supply wires, including ground.
  - 2.) Apply supplied Duct Seal to conduit entry and ensure completely sealed. Failure to do so will allow potting compound to run down conduit.
  - 3.) Since potting only covers  $\frac{3}{4}$  of the wiring compartment, wires need to be pressed into the compartment prior to potting so only 3 fixture wires protrude out of the potted compartment. Mix 3M 2130, Scotchcast, 2 part **non re-enterable** compound per instructions on package, and completely cover all wires and connections. Any remaining exposed wires must be pressed into potting compound.
  - 4.) Additional potting material can be ordered (catalog #: MA5).

### Fixture Re-Assembly

Replace ballast plate assembly (HID) or wire compartment cover (Incandescent) and tighten screws. Re-connect the quick disconnect from the lamping assembly to the ballast plate. Replace lamping assembly as well as tabs and screws, if applicable. For T6 optics, position the bottom band of the lamping assembly around the four pins indicated in the "T6 Optics - Seating Illustration" below [left] and simply press-fit into place. Install the specified lamp. Do not exceed the maximum wattage marked on the fixture. Aim lamping assembly to desired position and tighten wing nuts or thumbnut on side(s) to lock in place. For T6 optics, an aiming label is attached at the top of the fixture to help aid in aiming when several fixtures are used or to retain the aiming direction after re-lamping.



**Note: To help decrease condensation**, energize fixture for 20 minutes prior to installing and tightening main lens and retainer ring. All gasket seating surfaces must be clean and free of debris before attempting to replace the retainer. If debris in the screw holes prevents proper seating of the gasket, holes must be blown clear or cleared with a #10-24 tap. Insert screws through the retainer and tighten, using an alternating torque sequence of 20-30 inch-lbs. See "Torque Sequence Illustration" above [right].

### Backfilling & Landscaping

When backfilling, housing flange should be just above ground level as shown. Fixture housing should be surrounded by a 3" minimum layer of sand or gravel to ensure proper drainage. It is recommended that fixtures not be placed in low locations where water could accumulate and stand for long periods of time. When installing fixture, hilling up earth around fixture will promote good water run-off and prevent debris accumulation.