



Project: \_\_\_\_\_  
 Location: \_\_\_\_\_  
 Cat.No: \_\_\_\_\_  
 Type: \_\_\_\_\_  
 Lamps: \_\_\_\_\_ Qty: \_\_\_\_\_  
 Notes: \_\_\_\_\_

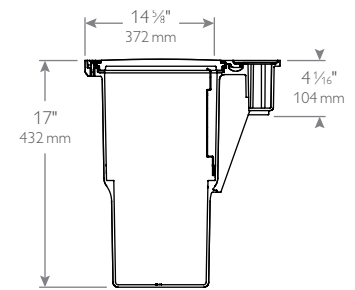
### Integrated lamp (PAR38L) and Integrated module

#### Ordering guide

Example: **i3.5NLED18NFW**

Series	Finish	Lamping	Optics	CCT
<b>i3.5</b>	<b>N</b>			
i3.5 Inground with Trim Ring	N Natural Cast Bronze	LED18 19W integrated lamp	NF Narrow Flood	W Warm
		[blank] integrated module	SP Spot	W Warm
			NF Narrow Flood	C Cool
			FL Flood	

Available with LED Lamp or LED Module: Fixtures with MR16 lamp will be shipped with lamp installed. Lamps not sold separately. Fixtures with PAR38 LED lamp will be shipped with fixture loose, not installed. Must order Adaptor Ring (LEDAP) if ordering an internal accessory.



#### Features

- 120 Volt
- PAR38L LED
- LED module

#### LED lamp

- 25,000 hours life (no mercury).
- 19W with 15° or 25° beam spread (only sold integral to i3.5 fixture). Color temp. (CCT): warm white (2,700K nom).
- Lower wattage lamps are acceptable.

#### LED module

25W 20 LED Module. 4,000K CCT or 3,000K CCT. Approx. 50,000 hours of operational life (at 25°C ambient temperature and 70% lumen maintenance). >80CRI.

#### Aiming

Offers 15° either side of vertical and full 360° rotation. Angle degree marks for precise vertical aiming with tool-less aiming.

#### Gasket

Single-piece wrap around molded 100% silicone for lens assembly. Gasket for J-box cover is single-piece die-cut neoprene.

#### Housing

Separate sealed compartments provide isolation between field wiring, optics, and ballast. Single-piece compression molded fiberglass reinforced polyester composite, factory pressure tested to ensure water will not wick or leak through. Isolated, grade-mounted sealed wiring compartment with two (2) 3/4" threaded conduit inlets in bottom for feed-through wiring capabilities and supplied with gel-filled wire nuts. Cast cover to match trim ring with two captive stainless steel slotted machine screws for access. Ring is factory pre-drilled for optional guard. Lens ring is hinged with two captive stainless slotted machine screws for access to lamping compartment (tamper-resistant screws available upon request).

#### Trim (supplied standard)

Natural cast bronze. Secured with stainless steel screws.

#### Finish

Natural Cast Bronze has satin matte finish and will age over time. Stainless Steel has satin matte finish. Composite is pressure formed, molded-in color.

#### Lens

Clear convex, tempered borosilicate for high-impact resistance. 3,000lb live-load rated, drive-over.

#### Optics

Available with spot, narrow flood or flood beam pattern. EnduraLED lamps: spot or flood beam pattern.

#### Electrical

LED module is a key-slotted ballast assembly with quick disconnects mounted to cast aluminum bracket for easy maintenance. e-Vision electronic ballasts automatically detect 120-277 volts, 50/60 Hz, HPF. Ballasts provide ± 5% lamp power regulation with ± 10% input voltage regulation. Incandescent (MR16) - utilizes stepdown transformer.

#### IP68 rating

Dust-tight and dual rated – sealed against direct jets of water and against continuous immersion up to a depth of 1 meter (3.28 feet).

#### Socket

Incandescent, PAR38 and MH E-17: 4kv rated medium base porcelain socket.

# i3.5

## Composite inground

### Electrical Assembly

Smart Select Electronic Driver 120 to 277 VAC input; 50–60Hz; auto-sensing.

**Lamp only:** 12 total watts consumed Operating start temperature –40 C (–40 F).

### ADA compliant

Compliant when used in concrete and flush-mounted with CPS15.

### Optical Assembly

Integral collimating spot (10°) optics. Integral collimating narrow flood (26°) optics. Integral collimating wide flood (38°) optics. Aiming 15° either side of vertical and full 360° rotation. Angle degree marks for precise vertical aiming with tool-less aiming. Clear, slightly convexed, molded borosilicate glass, high impact, 3000 lb. live load rated, drive-over glass, with molded wrap around 100% silicone lens gasket. Sealed optical chamber. Handle enables easy tool-less removal of optical assembly for hot aiming and re-lamping, simply press-fit back into place.

### Accessories (sold separately)

Secured with stainless steel screws.

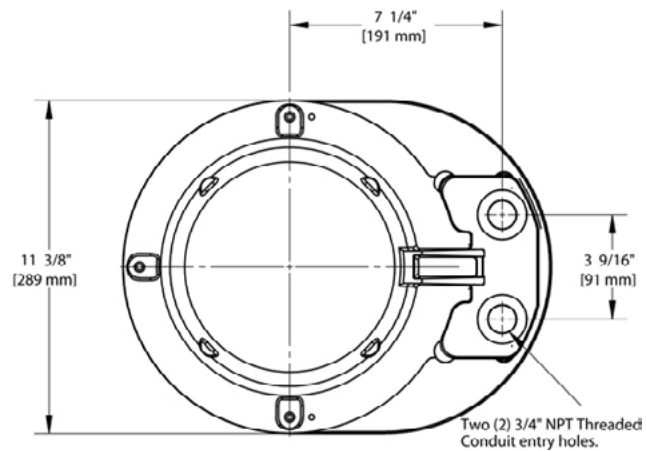
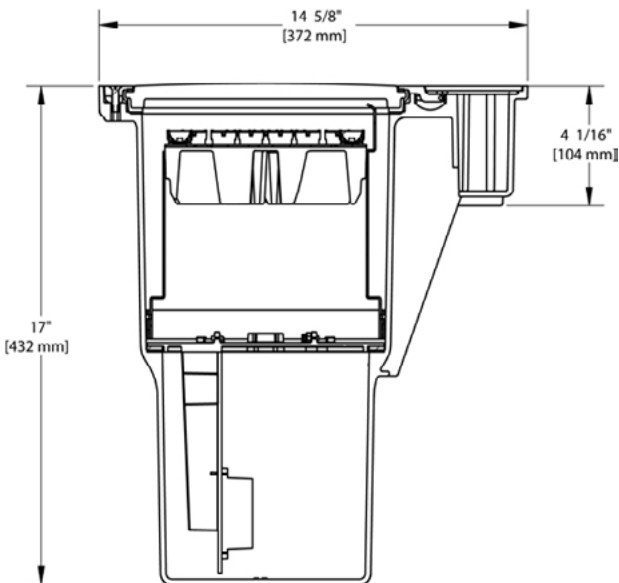


**Rock Guard:** Natural cast bronze or cast stainless steel.

### Labels

ETL and cETL listed. Suitable for wet locations. Manufactured to ISO 9001:2008 Standards. 10-year limited warranty.

### Dimensions



### LED Wattage and Lumen Values

IES File Name	Wattage	Delivered Lumens	LPW	Color Temp.
i35-20LFLAO-C-12.ies	25	1450	58	4000K
i35-20LFLAO-W-12.ies	24	938	39	3000K
i35-20LNFAO-C-12.ies	25	1456	58	4000K
i35-20LNFAO-W-12.ies	24.6	979	40	3000K
i35-20LSPA0-C-12.ies	25	1555	62	4000K
i35-20LSPA0-W-12.ies	24.1	1002	42	3000K

Values from photometric tests performed in accordance with IESNA LM-79 and are representative of the configurations shown. Actual performance may vary due to installation and environmental variables, LED and driver tolerances, and field measurement considerations. It is highly recommended to confirm performance with a photometric layout.

**NOTE:** Some data may be scaled based on tests of similar (but not identical) luminaires. Contact factory for configurations not shown.

