

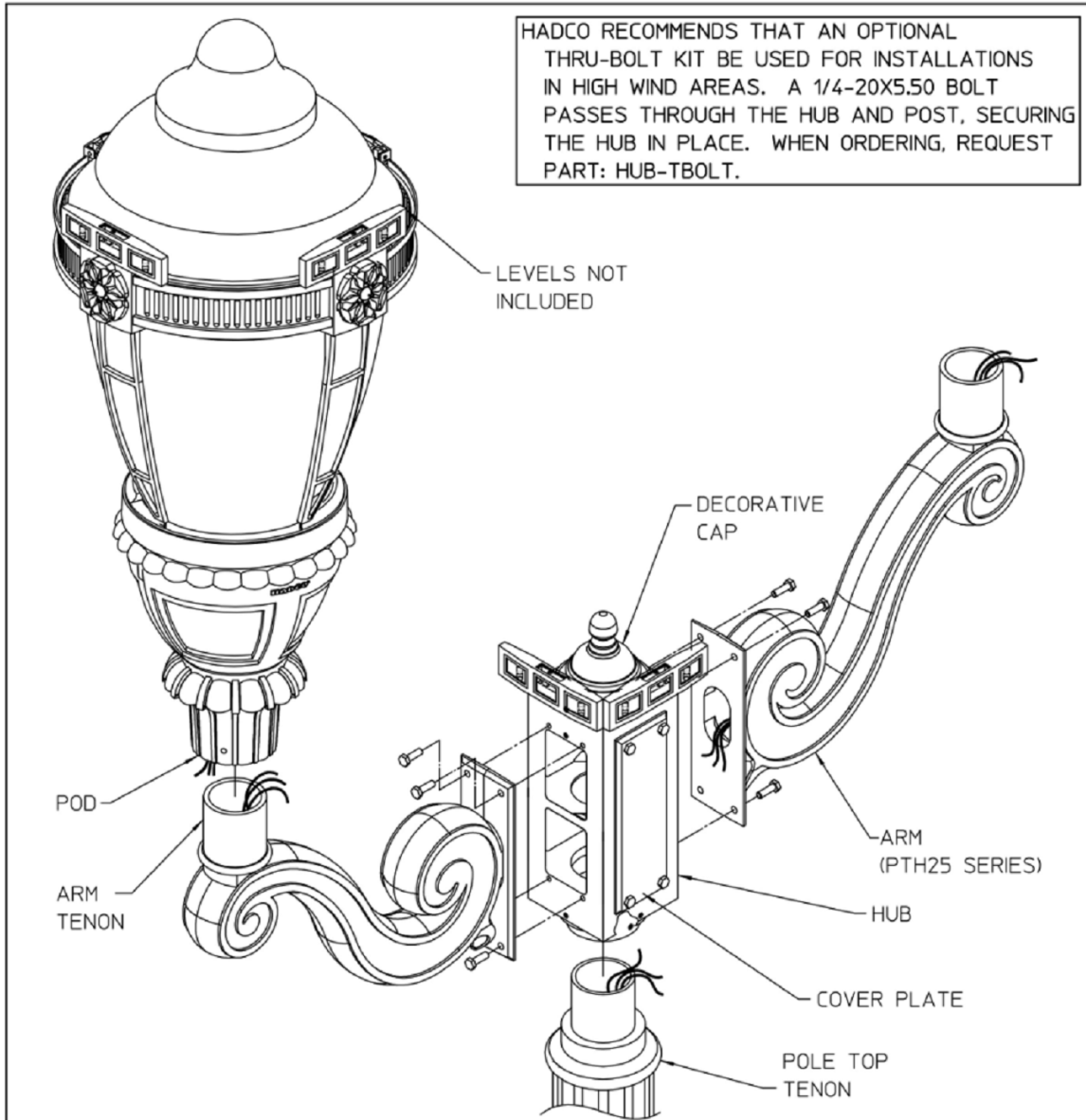
# HADCO

by  Signify

Signify North America Corporation  
200 Franklin Square Drive  
Somerset, NJ 08873  
Telephone 855-486-2216

Signify Canada Ltd.  
281 Hillmount Road,  
Markham, ON, Canada L6C 2S3  
Telephone 800-668-9008

## INSTALLATION INSTRUCTIONS: MODULAR HUB SYSTEM



This fixture is intended for installation in accordance with the National Electrical Code and local code specifications. Failure to adhere to these codes and instructions may result in serious injury and/or damage to the ballast and void the warranty. These instructions do not purport to cover all details or variations in equipment, nor to provide for every possible contingency related to installation, operation, maintenance, or mounting situation. Should specific problems occur that are not addressed by these instructions, contact your Sales Representative or distributor for assistance. Retain these instructions for future reference.

There are multiple ways to install this lighting system. Regardless of the approach used, the hub and fixtures must be leveled after assembling fixture and all fasteners must be torqued to the values specified in these instructions.

## CAUTION

1. The electrical power must be disconnected from the fixture before installing, servicing, or relamping the fixture.
2. These directions must be read carefully and adhered to. Failure to do so may result in injury, damage to the fixture, and void the warranty.

## TOOLS REQUIRED

TOOL	FASTENER	TORQUE
1/8" Allen wrench	5/16-18 set screw	80 in.lbs.
1/2" Socket wrench	5/16-18 hex bolt	132 in.lbs.
Torque wrench		
Level		

## INSTALLATION

### STEP 1: MOUNT ARMS/COVER PLATES

NOTE: DO NOT INSTALL LAST COVER/ARM UNTIL WIRES HAVE BEEN CONNECTED.

FOR EACH ARM OR COVER PLATE			
TOOL	FASTENER	QTY	TORQUE
1/2" socket wrench	5/16-18 hex bolt	4	132in.lbs.
Torque wrench			
Level			

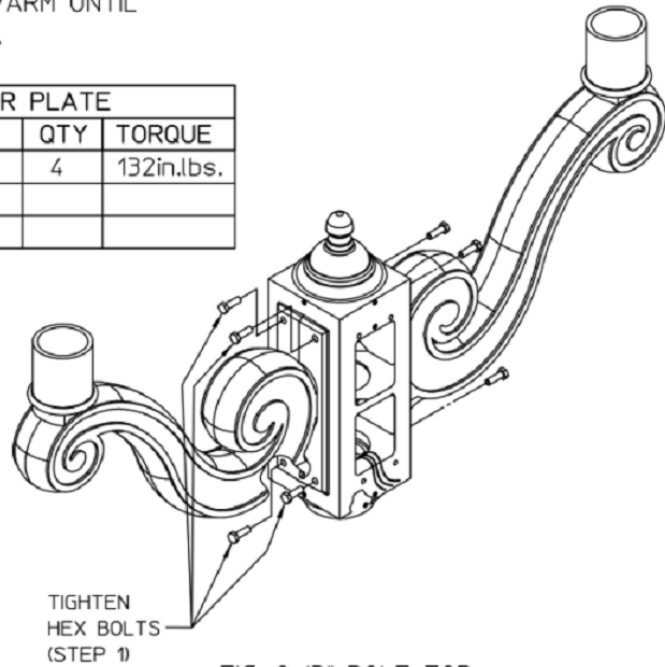
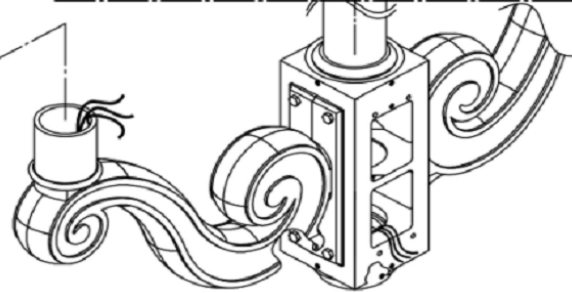
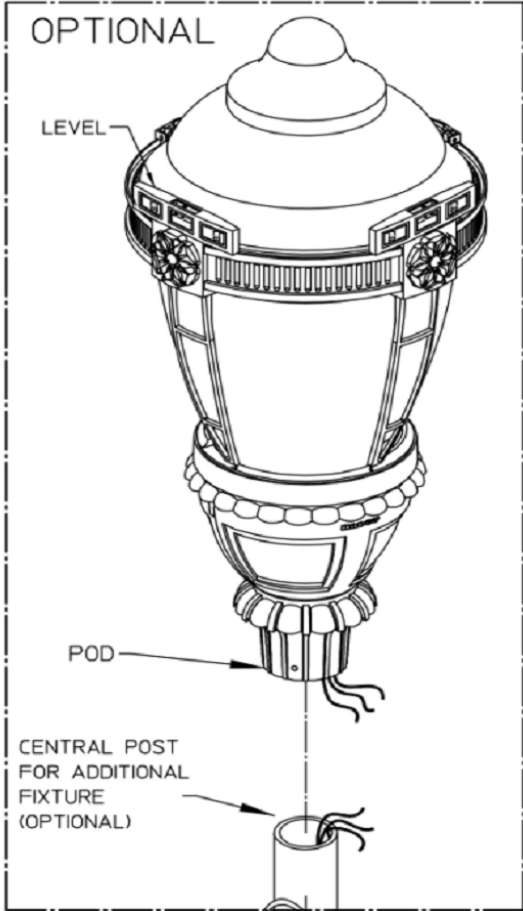
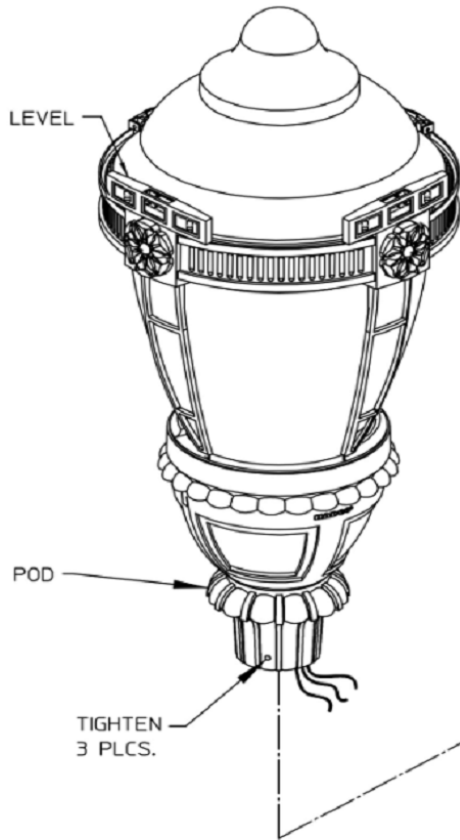


FIG. 2 (3" POLE TOP  
TENON SHOWN)

STEP 2: MOUNT FIXTURE(S) AND MAKE ELECTRICAL CONNECTIONS



FOR EACH FIXTURE			
TOOL	FASTENER	QTY	TORQUE
1/8" Allen wrench	5/16-18 set screw	3	80in.lbs.
1/2" socket wrench	5/16-18 hex bolt	3	132in.lbs.
Torque wrench			
Level			

FIG. 3 (3" POLE TOP TENON SHOWN)

STEP 3: MOUNT ON POST, MAKE ELECTRICAL CONNECTIONS,  
AND CLOSE HUB

TO MOUNT AND CLOSE HUB			
TOOL	FASTENER	QTY	TORQUE
1/8" Allen wrench	5/16-18 set screw	note	80in.lbs.
1/2" socket wrench	5/16-18 hex bolt	note	132in.lbs.
Torque wrench			
Level			

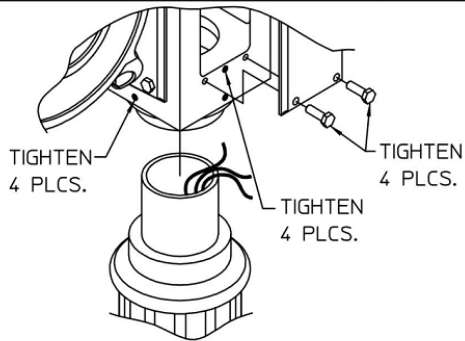


FIG. 4 (4" POLE TOP  
TENON SHOWN)

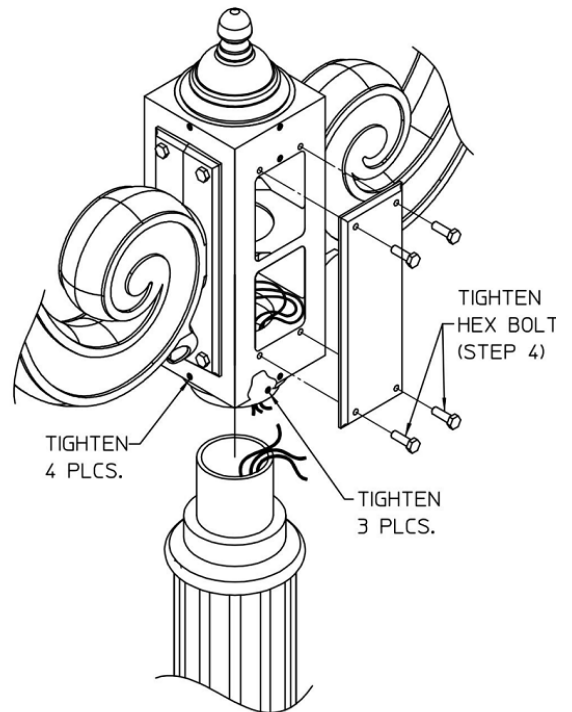


FIG. 5 (3" POLE TOP  
TENON SHOWN)

STEP 4: LEVEL HUB AND FIXTURES THEN SECURE ALL FASTENERS

FOR EACH FIXTURE			
TOOL	FASTENER	QTY	TORQUE
1/8" Allen wrench	5/16-18 set screw	3	80in.lbs.
1/2" socket wrench	5/16-18 hex bolt	3	132in.lbs.
Torque wrench			
Level			

