

**PHILIPS  
HADCO**

Landscape

FlexScape

BL9 LED Accent



---

# Breaking new ground with **optimal versatility**

**Philips Hadco FlexScape LED accent luminaire BL9** brings landscape lighting to the next level. Designed for optimal LED performance, it provides the lighting professional with countless low-voltage options.

The luminaire's rugged die-cast aluminum housing features low-energy outdoor lighting. Convenient beam adjustability makes for easy on-site lighting effect changes. The lockable aiming is well-suited for accenting objects, textures, walls, trees, etc. This all-weather luminaire comes with 100% molded silicone gaskets.

## Benefits

- Clean lines for a timeless, modern look
- Rugged construction and quality finish
- Ready-to-ship, in-stock products
- Ease of installation
- Flexibility to change light intensity in the field
- Countless lighting outcomes in a single luminaire save time and money
- Innovative zoomable LED Optics allow different beam patterns



## Features

- CCT: 3000K and 4000K
- CRI: 70
- Wattage: 12W (max)
- Voltage: 12V typical (10.5V-15V)
- 50,000 hour rated life (L70)
- 5-year warranty\*

## Philips Hadco FlexScape LED accent luminaire BL9

Competitively priced outdoor lighting offers performance and versatility, delivering the value professionals have come to expect from a leader like Philips Hadco.

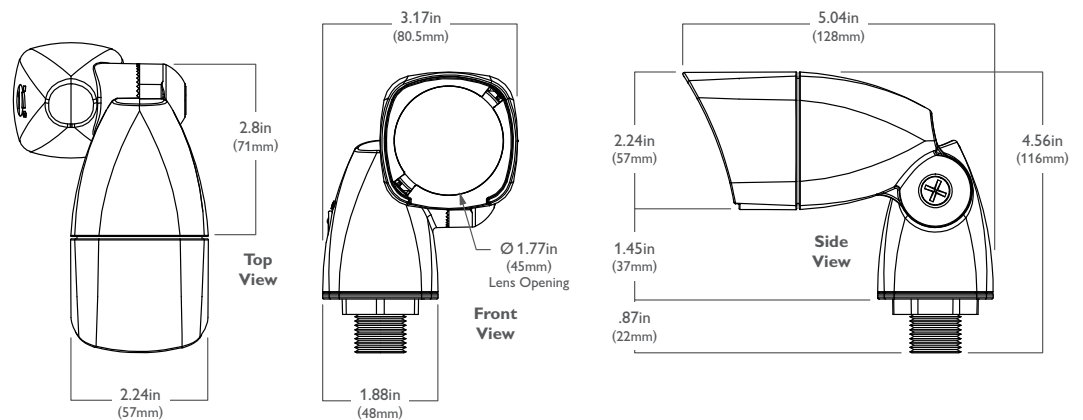
### Ordering guide

example: BL9DW-AS7

Series	Lamping	CCT	Finish	Mount
<b>BL9</b>	<b>D</b>	<input type="checkbox"/> -	<input type="checkbox"/>	<b>S7</b>
<b>BL9</b> Accent luminaire	<b>D</b> LED	<b>W</b> Warm (3,000K) <b>C</b> Cool (4,000K)	<b>A</b> Black <b>H</b> Bronze	<b>S7</b> Stake



\* Based on standard 5-year warranty. See <http://www.lightingproducts.philips.com/Documents/webdb2/Hadco/pdf/Hadco-FlexScape-LED-Warranty.pdf> for complete Hadco FlexScape LED warranty information.



© 2014 Koninklijke Philips N.V. All rights reserved. Philips reserves the right to make changes in specifications and/or to discontinue any product at any time without notice or obligation and will not be liable for any consequences resulting from the use of this publication. [philips.com/luminaires](http://philips.com/luminaires)



Philips Lighting, North America Corporation  
200 Franklin Square Drive, Somerset, NJ 08873  
Tel. 855-486-2216

Imported by: Philips Lighting,  
A division of Philips Electronics Ltd.  
281 Hillmount Rd, Markham, ON, Canada L6C 2S3  
Tel. 800-668-9008