

PHILIPS

100 Craftway Dr.
Littlestown, Pennsylvania 17340-0128
Phone: 717-359-7131

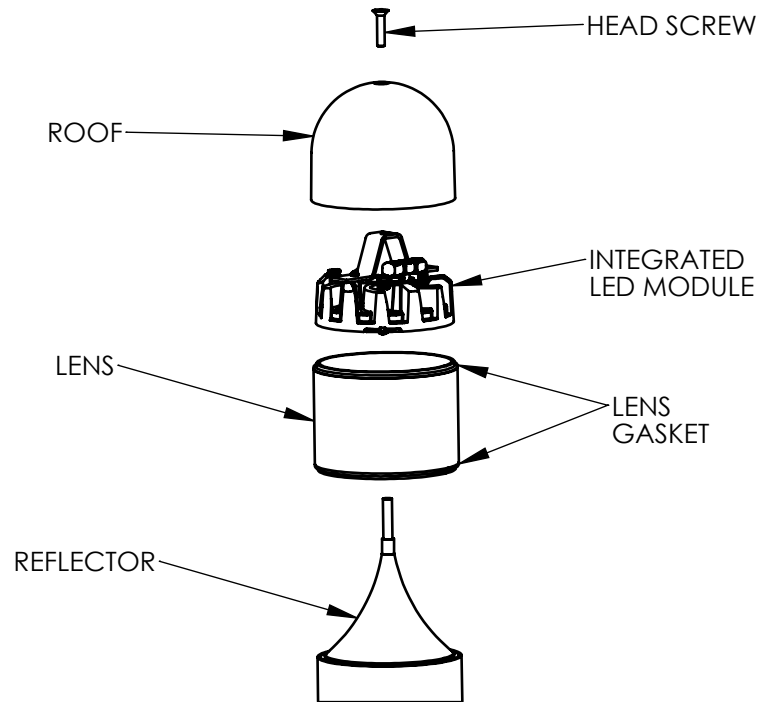
INSTALLATION INSTRUCTIONS: 6" BOLLARDS MODEL NUMBERS: RD6, RF6, AB04, AB06, LL-300, LL-301

CAUTION

1. **WARNING : TURN POWER OFF BEFORE INSTALLING OR PERFORMING ANY MAINTENANCE ON THIS FIXTURE.** Failure to do so may result in severe injury or death.
2. **GFI PROTECTION!** Fixtures which may come in contact with or be exposed to moisture (i.e. outdoors) shall be installed on a GFI (Ground Fault Interruptor) circuit. (120V only.)
3. The fixture should not be installed in low lying areas or where water may accumulate and stand for long periods of time.

NOTE :

ROOF, OPTICS, AND LAMP STYLE WILL VARY WITH FIXTURE OPTIONS.



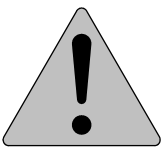
This fixture is intended for installation in accordance with the National Electrical Code and local code specifications. Failure to adhere to these codes and instructions may result in serious injury and/or damage to the ballast and void the warranty. These instructions do not purport to cover all details or variations in equipment, nor to provide for every possible contingency related to installation, operation, maintenance, or mounting situation. Should specific problems occur that are not addressed by these instructions, contact your Sales Representative or distributor for assistance. Retain these instructions for future reference.



SAFETY WARNING:

ALWAYS TURN FIXTURE OFF/DISCONNECT POWER AND ALLOW TO COOL BEFORE PERFORMING ANY MAINTENANCE, INCLUDING RELAMPING AND CLEANING!

This fixture can become very HOT! The fixture housing and lens, especially if it is glass, can become hot enough to blister hands. Attention should be paid to where the fixture is mounted, particularly if it can be touched by children or pets. To help prevent premature failure, decreased performance, overheating and risk of fire, keep fixture and lens clean and free of leaves, mulch, debris and mineral deposits from water. The fixture and lens can be cleaned using a soft cloth and a solution of mild liquid soap and warm water. Wipe clean and dry with a soft, lint-free dry cloth. Avoid polishing fixture or lens.



INSTRUCTIONS PERTAINING TO A RISK OF FIRE OR INJURY TO PERSONS IMPORTANT SAFETY INSTRUCTIONS - SAVE THESE INSTRUCTIONS!

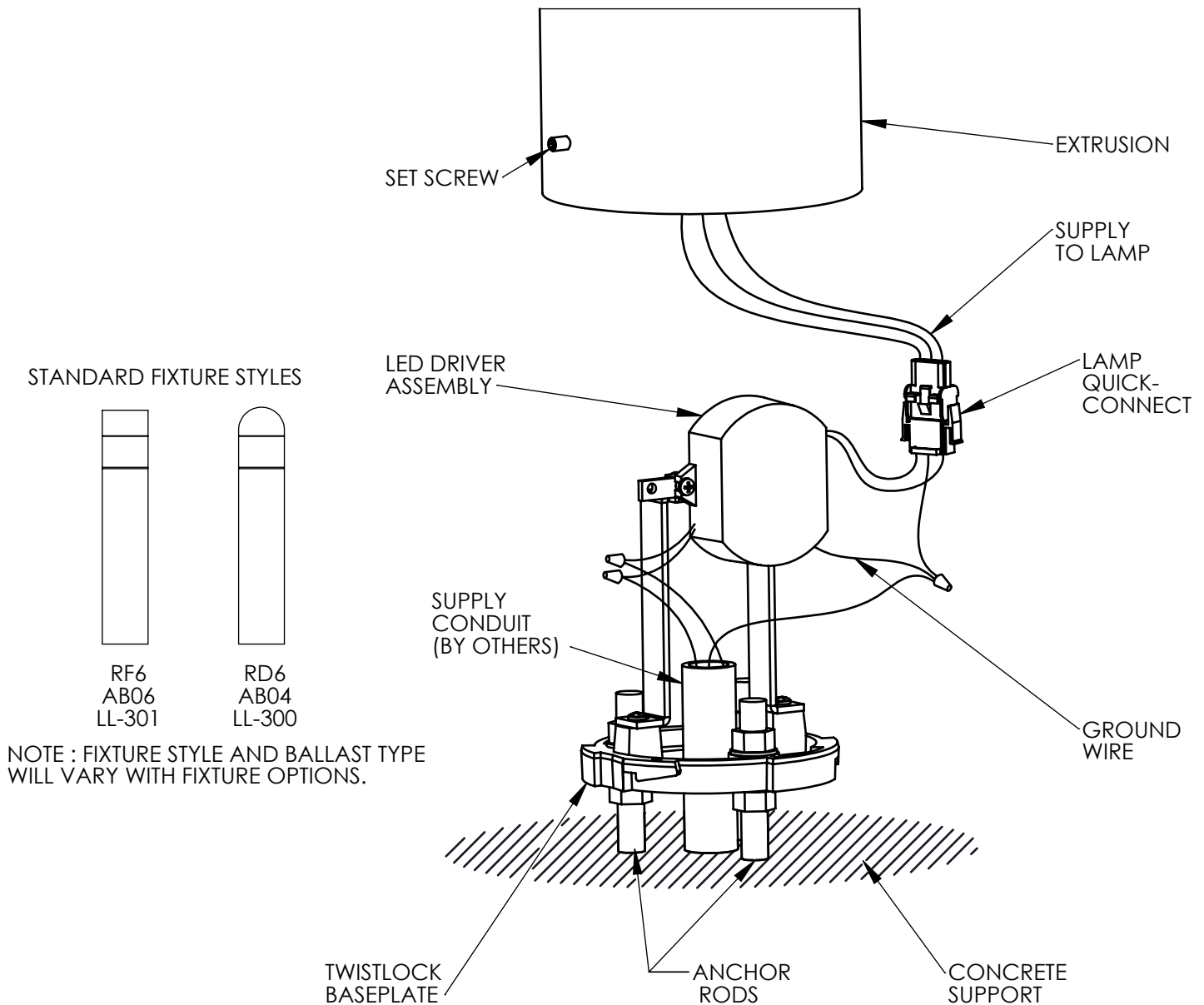
WARNING - Lamp gets HOT quickly! To reduce the risk of FIRE OR INJURY TO PERSONS:

Do not operate fixture with a missing or damaged lens/lens assembly.

Contact only switch or plug when turning fixture on or off. Do NOT touch hot lens or housing.

Turn off or unplug fixture and allow to cool before relamping. Keep lamp away from combustibles.

Do NOT touch lamp with bare hands at any time, use a soft cloth as oil from skin may damage lamp.



INSTALLATION

1. **WARNING :** Make sure the power is off before installing or servicing this fixture.
2. Install the anchor rods into a concrete footing as indicated on the supplied template. Install and level the twistlock baseplate with ballast assembly as shown on the template.
3. Connect the supply lines from the supply conduit to the fixture's inputs. Tie the wires so they do not lie on the ground. Connect the lamp supply quick-connect to the ballast quick-connect.
4. Set the fixture onto the twistlock baseplate such that the arrow on the baseplate lines up with the set screw. Be sure not to crimp any wires in the twistlock.
5. Turn the fixture clockwise about 1/8 turn until hand tight. Tighten the set screw to lock it in place.
6. For fixtures that do not have an integrated LED module, install a lamp per the relamping instructions below.
7. Test the fixture for proper operation.

RELAMPING

Make sure power is off before relamping. Remove the head screw from the top of the roof and lift the roof off of the fixture. Replace the lamp or install a new one per the label on the fixture. For LED fixtures, consult factory for replacement modules or lamps. Replace the roof, checking to ensure the lens gasket is properly seated. Tighten the head screw.

