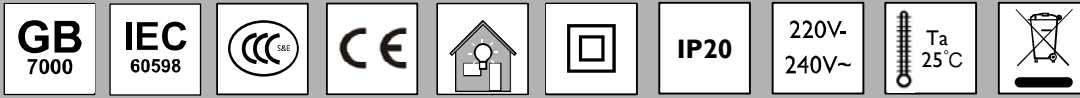


GreenUp Accent

ST391T

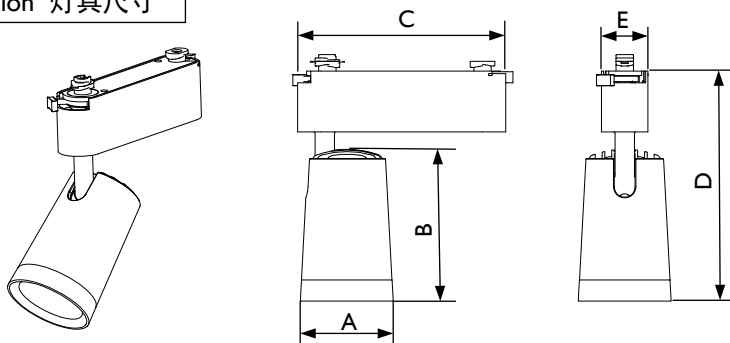
Mounting Instruction/安装说明书

444100006281



Type Number 产品型号	Power 功率	Voltage 电压	Frequency 频率	Light Source 光源	Beam Angle 光束角度	
ST391T LED10	11.5 W	220-240V~	50/60 Hz	LED	NB/MB/WB/VWB	0.66
ST391T LED20	25.5 W	220-240V~	50/60 Hz	LED	NB/MB/WB/VWB	0.66
ST391T LED30	37 W	220-240V~	50/60 Hz	LED	NB/MB/WB/VWB	1.1
ST391T LED35	46 W	220-240V~	50/60 Hz	LED	NB/MB/WB/VWB	1.15

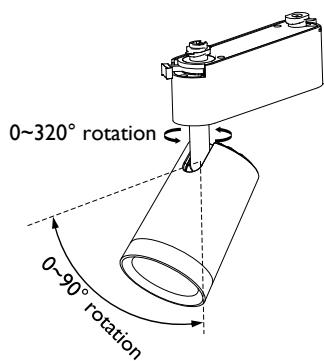
Dimension 灯具尺寸



Unit: mm / 单位:毫米

Dimension 尺寸	ST391T LED10/20	ST391T LED30/35
A	Φ72	Φ90
B	117	142
C	161	186
D	178	201
E	36	36

Rotation indication 灯具可旋转角度

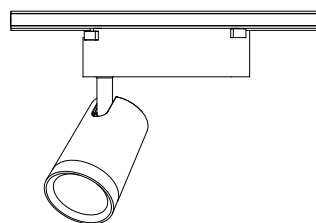


Please adjust the light direction when the power is off.
请在未通电时调节灯具照射角度。

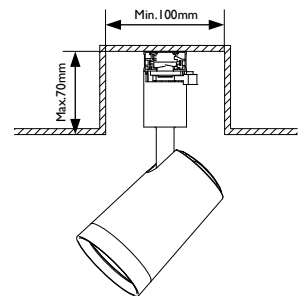
Please adjust the angle carefully. Do not rotate further once reaches the stopper position, rotate to the reverse direction till the desired angle.
调节角度时请小心操作。当灯头调节到止位时,切勿同方向继续旋转,请反向旋转以调节到您所需要的角度。

Recommended Installation 推荐安装方式

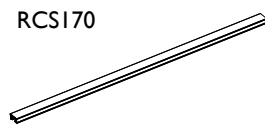
① Surface Track 轨道吸顶安装



② Recessed Track 轨道嵌入式安装

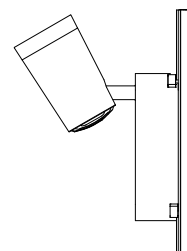


RCS170



The luminaire is compatible with Philips RCS170 Track.
此灯具与飞利浦RCS170轨道兼容。

③ Vertical Track 轨道竖直安装



Vertical Track only for ST391T LED10 and ST391T LED20.

轨道竖直安装仅适合ST391T LED10和ST391T LED20。

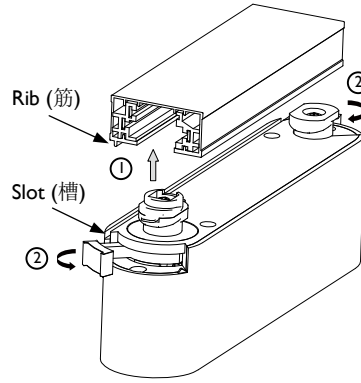
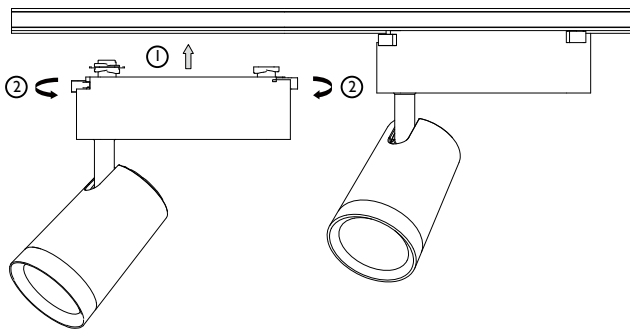
Philips Lighting (China) Investment Co., Ltd.
Address: Building No. 9, Lane 888, Tianlin Road, Minhang District, Shanghai, China
China Postal code: 200233

飞利浦照明(中国)投资有限公司
地址: 中国上海市闵行区田林路888弄9号楼
邮编: 200233

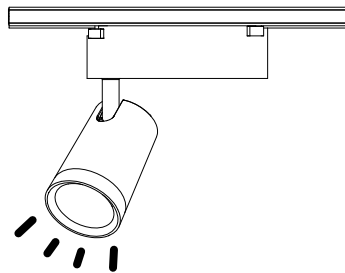
PHILIPS

Installation 灯具安装

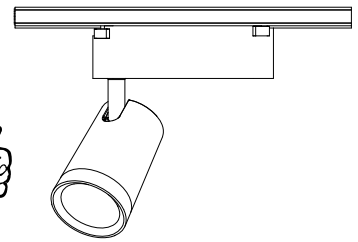
Philips RCS170 Track



- ① Put track adaptor into track align track adaptor slot to track rib.
把轨道接头垂直放入轨道内。(注意槽口的装配方向, 轨道接头的槽位对位轨道的筋位)
- ② Rotate both left and right handles 90°.
90°旋转左右两个把手。

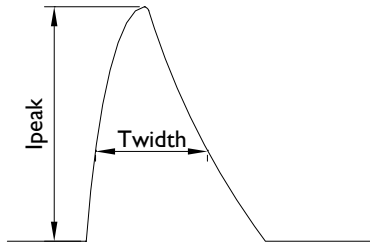


Please do not use your bare hand to adjust the core while the light is on.
灯具点亮时请不要用手直接接触灯头进行调节。



Turn off the power and wait for 15mins before adjust the core with bare hand.
关闭电源并静置15分钟后, 可以手直接接触灯头进行调节。

Inrush current



ST391T	LED10	LED20	LED30	LED35
Ipeak (A)	15	15	30	30
Twidth (μs)	240	240	310	320
Type B 16A	42	42	12	12
Type C 16A	72	72	22	22



1. Please read this manual carefully before using the product. Please keep the manual for future reference.
使用本产品前, 请先仔细阅读本手册。请保留本手册作为日后参照用。
2. The luminaire shall be installed by a qualified electrician and wired in accordance with the latest IEE electrical regulations or the national requirements.
灯具应由有资格的电工安装, 接线要符合IEE 电气标准或国家标准。
3. The luminaire is complied to IEC 60598-1 or GB 7000.1.
此灯具是依据IEC60598-1或国标GB 7000.1所制造。
4. Do not hot swap! Luminaire must not to be disconnected with line power turned on. Failure to do so may damage the product.
请不要热插拔, LED模组不允许在带电的时候与电源线分开, 这样会损坏产品。
5. Luminaire shall be installed out of hand reach. The light source of this luminaire is not replaceable; when the light source reaches its end of life the whole luminaire shall be replaced
本灯具规定安装在伸臂范围以外。灯具中光源不可更换; 当光源寿命终结时, 请更换整个灯具。
6. The manufacturer will not be held responsible for improper usage or modification to the product.
所有不当使用或自行更改产品结构而导致损坏, 生产商不负任何责任。
7. Input voltage shall not exceed $\pm 10\%$ of nominal voltage.
输入电压请勿超出额定电压的 $\pm 10\%$ 。
8. For the max number of luminaires per Track, please refer to the Track specification.
一根导轨可连接灯具的数量, 请参照导轨规格书。
9. In case of malfunction, please switch off the power and contact your nearest Philips dealer.
如发现异常或操作有任何问题, 请务必先切断电源, 然后与飞利浦经销商联系。
10. The corrosive atmosphere or hazardous materials such as sulfur, chlorine, phthalate, etc must be avoided during the use and storage.
灯具避免在腐蚀性环境或者含有有害物质, 例如硫化物, 卤化物, 邻苯二甲酸酯等环境中存储和使用。

Maintenance 保养方法:

1. To ensure optimum performance, please clean the product regularly (recommended twice a year). Turn off luminaire before cleaning.
为了保持灯具明亮效果, 请定期(半年一次)进行清洁。灯具清洁请在切断电源情况下进行。
2. Do not use chemical solvents to clean the luminaire, it might damage the surface.
请不要用香蕉水等挥发性物质擦拭灯具表面, 请不要对灯具喷洒任何化学药剂, 否则灯具可能会变色或损坏。