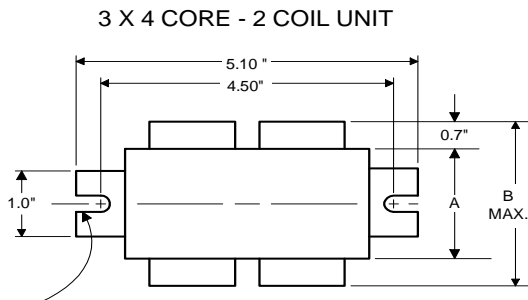


PHILIPS ADVANCE

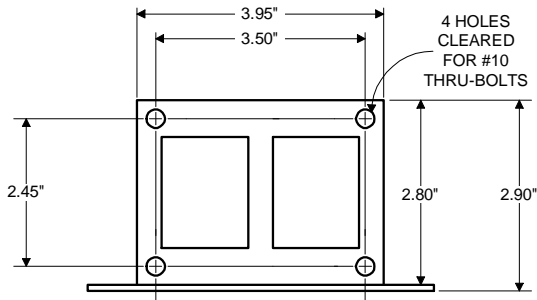
Metal
Halide
Lamp Ballast

Catalog Number 71A5493
For 150W M102/M142 (P.S.)
60 Hz SUPER-CWA
Status: Active

DIMENSIONS AND DATA

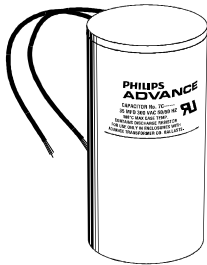


0.25" WIDE
2 SLOTS



	120	208	240	277
INPUT VOLTS				
CIRCUIT TYPE	SUPER-CWA			
POWER FACTOR (min)	90%			
REGULATION				
Line Volts	±10%			
Lamp Watts	±10%			
LINE CURRENT (Amps)				
Operating.....	1.64	0.92	0.85	0.73
Open Circuit.....	1.98	1.00	0.95	0.81
Starting.....	0.70	0.39	0.37	0.31
UL TEMPERATURE RATINGS				
Insulation Class	H(180°C)			
Coil Temperature Code	1029			
	D	C	D	C
MIN. AMBIENT STARTING TEMP.	-20°F or -30°C			
NOM. OPEN CIRCUIT VOLTAGE	217			
INPUT VOLTAGE AT LAMP DROPOUT.....	60	110	120	140
INPUT WATTS	190			
RECOMMENDED FUSE (Amps).....	5	2.5	2	2
CORE and COIL				
Dimension (A)	2.40			
Dimension (B)	3.75			
Weight (lbs.)	7.5			
Lead Lengths	12"			
CAPACITOR REQUIREMENT				
Microfarads	16.0			
Volts (min.)	300			
Fault Current Withstand (amps)				
60 Hz TEST PROCEDURES (Refer to Advance Test Procedure for HID Ballasts - Form 1270)				
High Potential Test (Volts)				
1 minute	1500			
2 seconds	2500			
Open Circuit Voltage Test (Volts)	195-239			
Short-Circuit Current Test (Amps)				
Secondary Current	1.90-2.35			
Input Current.....	0.33-0.50	0.17-0.26	0.16-0.24	0.15-0.22

Capacitor: 7C160M30RA



Capacitance: 16
Dia/Oval Dim: 1.65
Height: 2.75
Temp Rating: 105°C

Wiring Diagram:

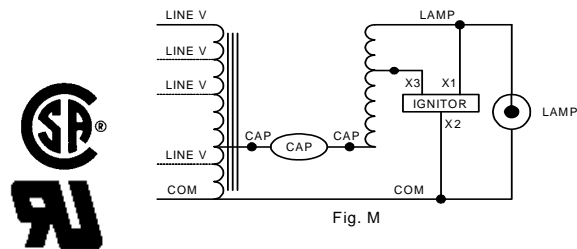


Fig. M

Ordering Information

Order Suffix

Description

Ignitor: LI501-J4



Ballast to Lamp Distance
(BTL) = 5 feet
Temp Rating: 105°C

Data is based upon tests performed by Philips Lighting Electronic N.A. in a controlled environment and representative of relative performance. Actual performance can vary depending on operating conditions. Specifications are subject to change without notice.

Philips Lighting Electronic N.A.

10275 West Higgins Road · Rosemont, IL 60018 · Tel:800-322-2086 Fax:888-432-1882
Customer Support/ Technical Service:800-372-3331 · OEM Support: 866-915-5886

08/31/09