

Project: _____

Location: _____

Cat.No: _____

Type: _____

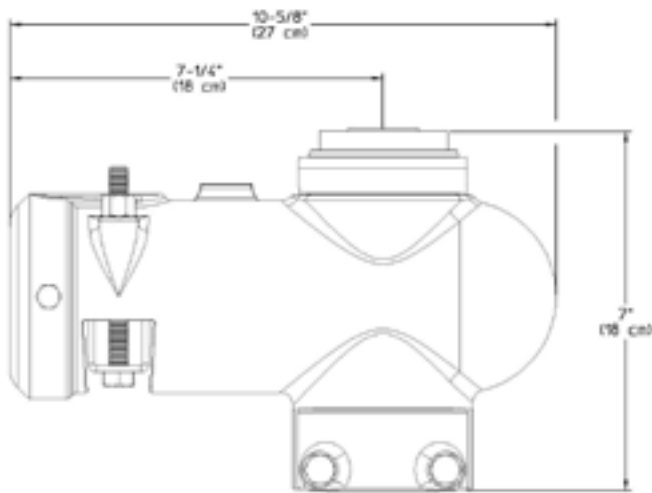
Lamps: _____ Qty: _____

Notes: _____

Ordering Guide

Example: TFHAM3 A

Product Code	TFHAM3	Pendant Adapter with Photocell Receptacle
Finish	A	Black
	B	White
	H	Bronze
	G	Verde
	J	Green



Specifications

HOUSING:

2 3/8" O.D. horizontal arm mounting adapter with photocell twist-lock receptacle. 356 HM high-strength, low copper, proprietary cast aluminum alloy.

FINISH:

Thermoset polyester powdercoat is electrostatically applied after a five-stage conversion cleaning process and bonded by heat fusion thermosetting. Laboratory tested for superior weatherability and fade resistance in accordance with ASTM B117 specifications. For larger projects where a custom color is required, contact the factory for more information.

CERTIFICATIONS:

Manufactured to ISO 9001:2008 Standards.

WARRANTY:

Three-year limited warranty.

