

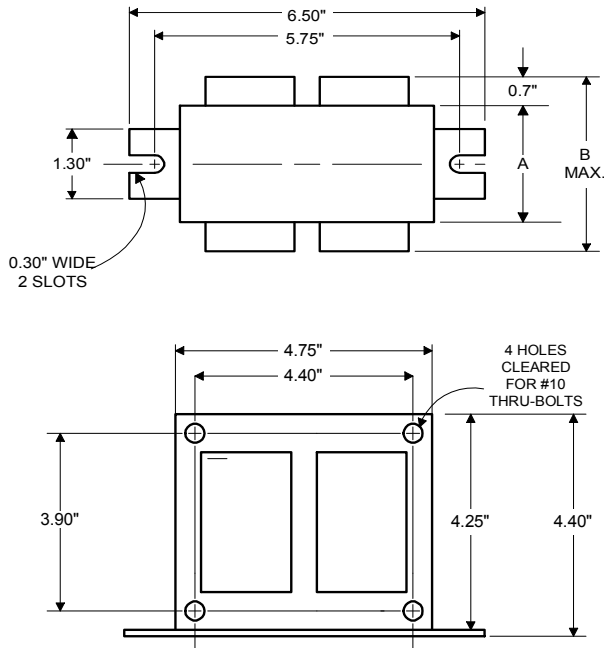
PHILIPS ADVANCE

High Pressure Sodium Lamp Ballast

Catalog Number 71A8493
For 400W S51/M169
60 Hz CWA
Status: Active

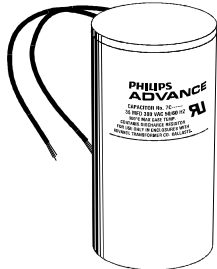
DIMENSIONS AND DATA

4 1/4 X 4 3/4 CORE - 2 COIL UNIT



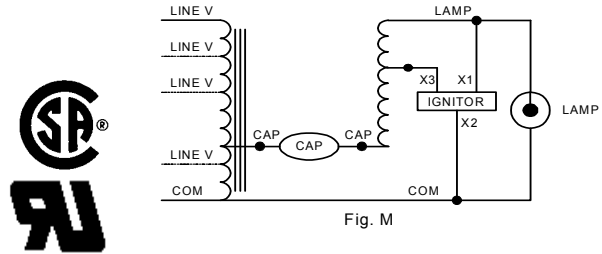
INPUT VOLTS	120	208	240	277
CIRCUIT TYPE	CWA			
POWER FACTOR (min)	90%			
REGULATION	±10%			
Line Volts	WITHIN TRAPEZOID			
Lamp Watts	±10%			
LINE CURRENT (Amps)				
Operating.....	3.80	2.20	1.90	1.70
Open Circuit.....	2.00	1.20	0.95	0.85
Starting.....	3.30	1.80	1.50	1.40
UL TEMPERATURE RATINGS				
Insulation Class	H(180°C)			
Coil Temperature Code	D	D	D	D
MIN. AMBIENT STARTING TEMP.	-40°F or -40°C			
NOM. OPEN CIRCUIT VOLTAGE	190			
INPUT VOLTAGE AT LAMP DROPOUT.....	90	156	180	208
INPUT WATTS	464			
RECOMMENDED FUSE (Amps).....	10	8	5	5
CORE and COIL				
Dimension (A)	2.09			
Dimension (B)	4.00			
Weight (lbs.)	13.5			
Lead Lengths	12"			
CAPACITOR REQUIREMENT				
Microfarads	55.0			
Volts (min.)	240			
Fault Current Withstand (amps)	240			
60 Hz TEST PROCEDURES (Refer to Advance Test Procedure for HID Ballasts - Form 1270)				
High Potential Test (Volts)				
1 minute	2000			
2 seconds	2500			
Open Circuit Voltage Test (Volts)	170-210			
Short-Circuit Current Test (Amps)	6.00-7.40			
Secondary Current	2.40-	1.40-	1.20-	1.00-
Input Current.....	3.60	2.10	1.80	1.55

Capacitor: 7C550P24RA



Capacitance: 55
Dia/Oval Dim: 1.85
Height: 3.7
Temp Rating: 105°C

Wiring Diagram:



Ordering Information

Order Suffix	Description
--------------	-------------

Ignitor: LI501-H4



Red (X1)
White (X2)
Blue (X3)

Ballast to Lamp Distance (BTL) = 2 feet
Temp Rating: 105°C

Data is based upon tests performed by Philips Lighting Electronic N.A. in a controlled environment and representative of relative performance. Actual performance can vary depending on operating conditions. Specifications are subject to change without notice.

Philips Lighting Electronic N.A.

10275 West Higgins Road · Rosemont, IL 60018 · Tel:800-322-2086 Fax:888-432-1882
Customer Support/ Technical Service:800-372-3331 · OEM Support: 866-915-5886

06/26/13