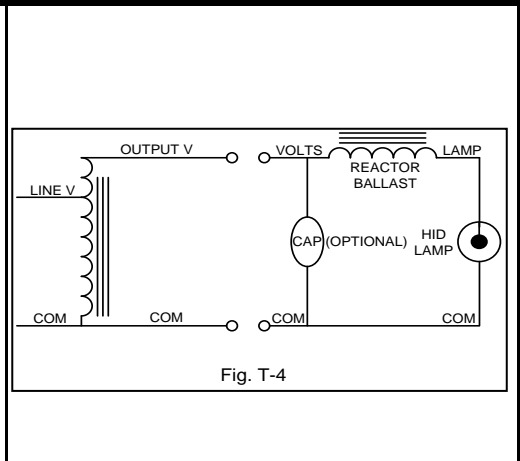
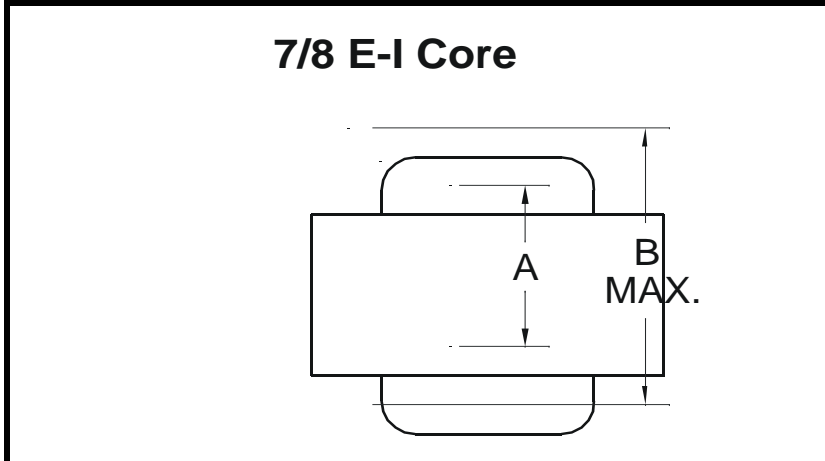


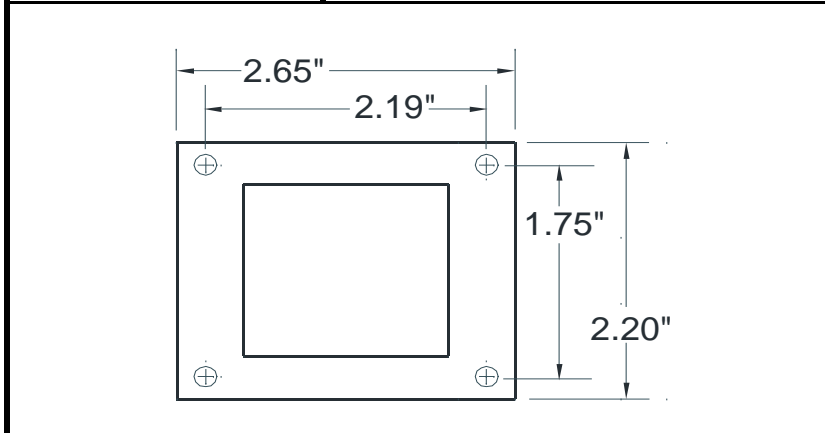

	<p>Step-down Transformer</p>	<p>Catalog Number: 71A9900-600 Step-up Transformer 120V:277V Max VA Load: 250 Status: RELEASED</p>
---	-------------------------------------	--

DIMENSIONS AND DATA



A Dimension	B Dimension
1.9"	3.4"

Input	Output
120V	277V
2.5 A max.	250 VA Load max.
85W	for 70W R ballast

E65627
AD 180

Data is based on tests performed by Philips Advance in a controlled environment and is representative of relative performance. Actual performance can vary depending on operating conditions. Specifications are subject to change without notice. All specifications are nominal unless otherwise noted.

Philips Lighting Electronics

10275 West Higgins Road • Rosemont, IL 60018 • www.philips.com/advance
 Tel: 800-322-2086 • Fax: 800-423-1882 • Customer Support: 800-372-3331 • OEM Support: 866-915-5886