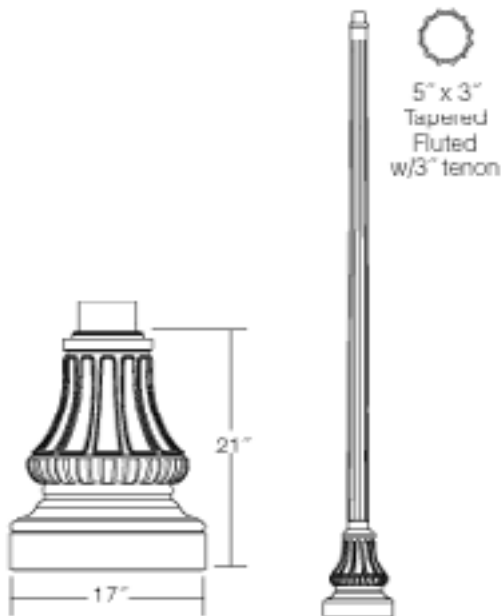


Project: \_\_\_\_\_  
 Location: \_\_\_\_\_  
 Cat.No: \_\_\_\_\_  
 Type: \_\_\_\_\_  
 Lamps: \_\_\_\_\_ Qty: \_\_\_\_\_  
 Notes: \_\_\_\_\_

### Ordering Guide

Example: P5092 12 I

<b>Product Code</b>	P5092	
<b>Pole Height</b>	12	12'
	14	14'
	16	16'
<b>Finish</b>	I	Gray
	A	Black
	B	White
	G	Verde
	H	Bronze
	J	Green



### Specifications

**HOUSING:**

356 HM high-strength, low-copper, proprietary cast aluminum alloy . 6063-T6 Extruded aluminum . Anchor rods are hot dipped galvanized steel . Tenon is 356 HM sand cast aluminum.

**FINISH:**

A durable polyurethane enamel finish is applied after assemblies are shot blasted to create a surface profile which allows for the highest level of paint adhesion. Laboratory tested for superior weatherability and fade resistance in accordance with ASTM B-117-64 and ANSI/ASTM G53-77 specifications. For larger projects where a custom color is required, contact the factory for more information.

**CERTIFICATIONS:**

Manufactured to ISO 9001:2008 Standards.

**WARRANTY:**

Three-year limited warranty.

# P5092 P5092

## Pole

### Specifications

---

**Tenon/Top:**

3" OD

**Bolt Circle:**

8" - 13"

**Anchor Rods:**

(4) 3/4" dia. x 19"

**Base Dimensions:**

17" dia. x 21"

**Hand Hole :**

4 1/2" x 5"

**Shaft:**

6" to 4" Tapered Fluted

**Wall Thickness:**

0.188 Aluminum

**Height :**

12', 14', 16'

