

INSTALLATION INSTRUCTIONS

G13/GL13 LUMINAIRE TO ROUND UTILITY POLE

IMPORTANT: Read all instructions before performing any work. Be sure **all power is off** prior to installing luminaires.

WARNING: Fixture must be grounded in accordance with appropriate codes. Failure to do so may result in serious injury.

NOTE: Pole Adaptor is secured to utility pole with 5/8" bolts, washers and 1" square nuts (by others) (fig. 1). Structural holes must be present in utility pole to accept bolts.
See "mounting hole pattern" for bolt location.

1. Place luminaire with lens facing up on a non scratching surface. Unlatch door and slowly open until stopped by safety cable. Remove and retain wing nut that secures safety cable. Disengage safety cable from threaded stud and pull free from ballast clamp. Open door further until hinge clamp lock is accessible. Rotate hinge clamp lock to free hinge clamp (fig. 2). Carefully rotate door toward the closed position until hinge disengages.
2. Place luminaire mounting surface against pole adaptor so that the mounting holes align. Secure luminaire using the 5/16" bolts, and start lockwashers supplied (fig. 3). Tighten bolts to 15ft-lbs.
3. Feed supply wires into utility pole. Make electrical connections and make sure luminaire is grounded in accordance with the applicable codes.
4. Aiming arrow on reflector must match aiming direction on site plan. If reflector rotation is required, see the following instructions:

For HID units: Loosen the (4) 8-32 phillips pan head screws that hold the reflector to the housing. Loosen the two thumb screws and slide latches to disengage (fig. 4). Remove reflector, reposition as desired and re-install.

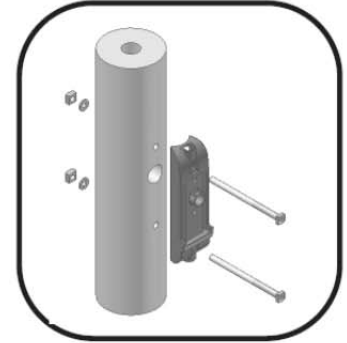


Fig. 1



Fig. 2

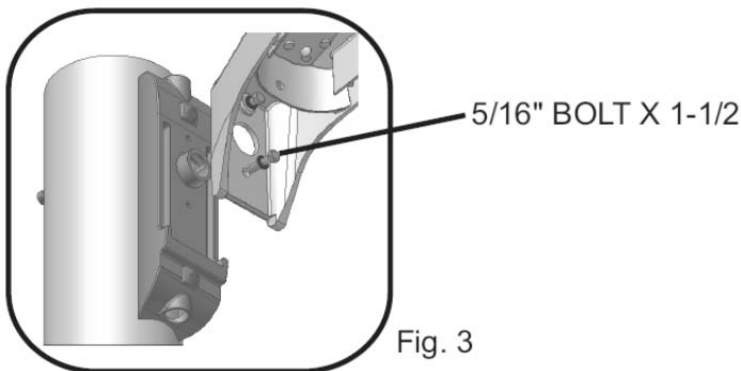


Fig. 3

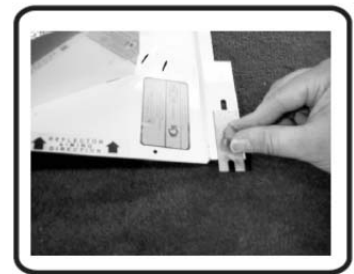


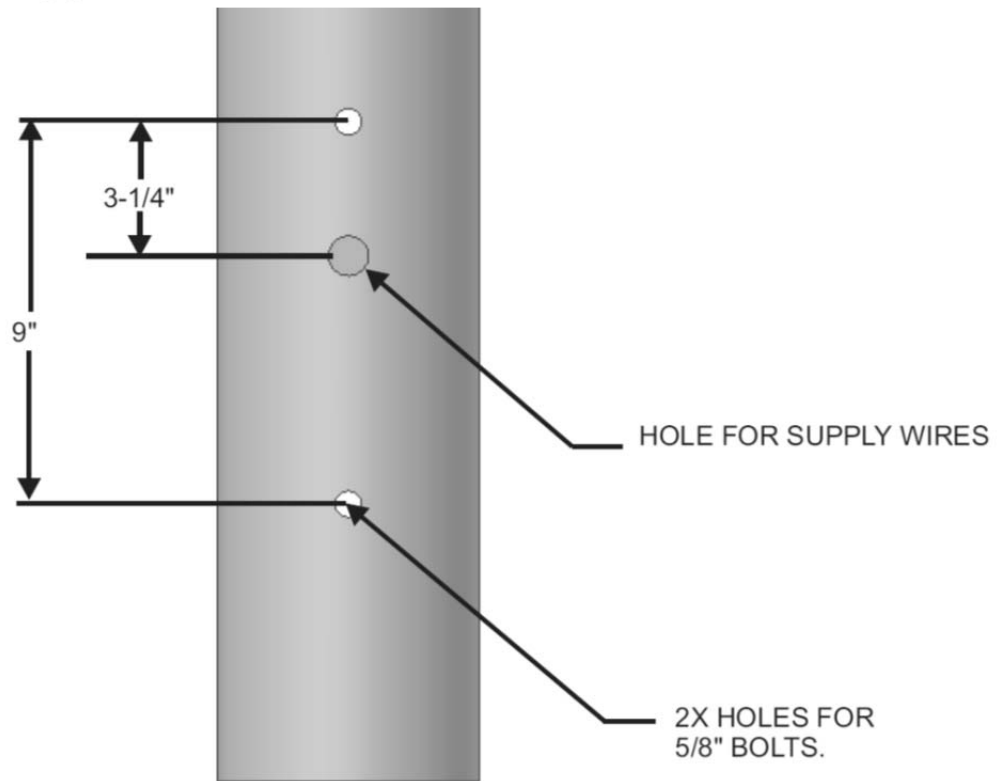
Fig. 4

INSTALLATION INSTRUCTIONS

G13/GL13 LUMINAIRE TO ROUND UTILITY POLE

For LED units: Remove four #8 screws and matte surrounding LED board. Remove four #8 screws holding heatsink/light engine assembly and rotate as desired. Secure heatsink/light engine assembly with screws previously removed. Reinstall matte with the four screws previously removed.

5. Install lamp (where applicable). Make sure the lamp type and wattage are as indicated on the product identification label on the reflector. Clear lamp required for optimum photometric performance.
6. Re-install door by engaging the hinge end with the door in the almost closed position. Swing door open and lock the hinge clamp by returning the hinge clamp lock to its original position. Re-install safety cable through ballast clamp and on to stud. Re-install wing nut and tighten. Close door making sure latch is fully engaged.



MOUNTING HOLE PATTERN



© 2016 Philips Lighting Holding B.V. All rights reserved.
www.philips.com/luminaires

443561019710/A817408 Rev. A
Page 2 of 2

Philips Lighting North America
Corporation
200 Franklin Square Drive,
Somerset, NJ 08873, USA

Philips Lighting Canada Ltd.
281 Hillmount Road,
Markham, ON, Canada L6C 2S3